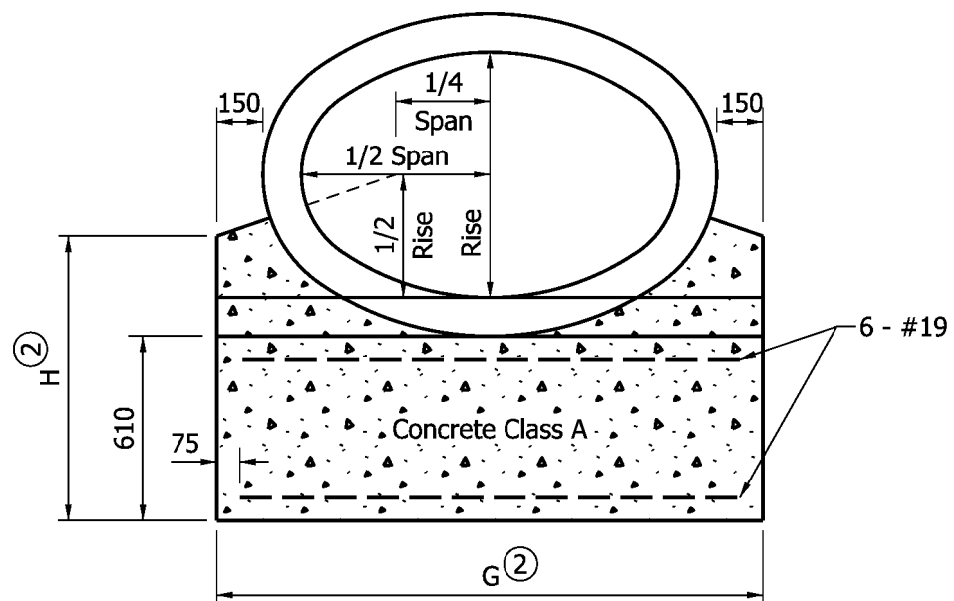
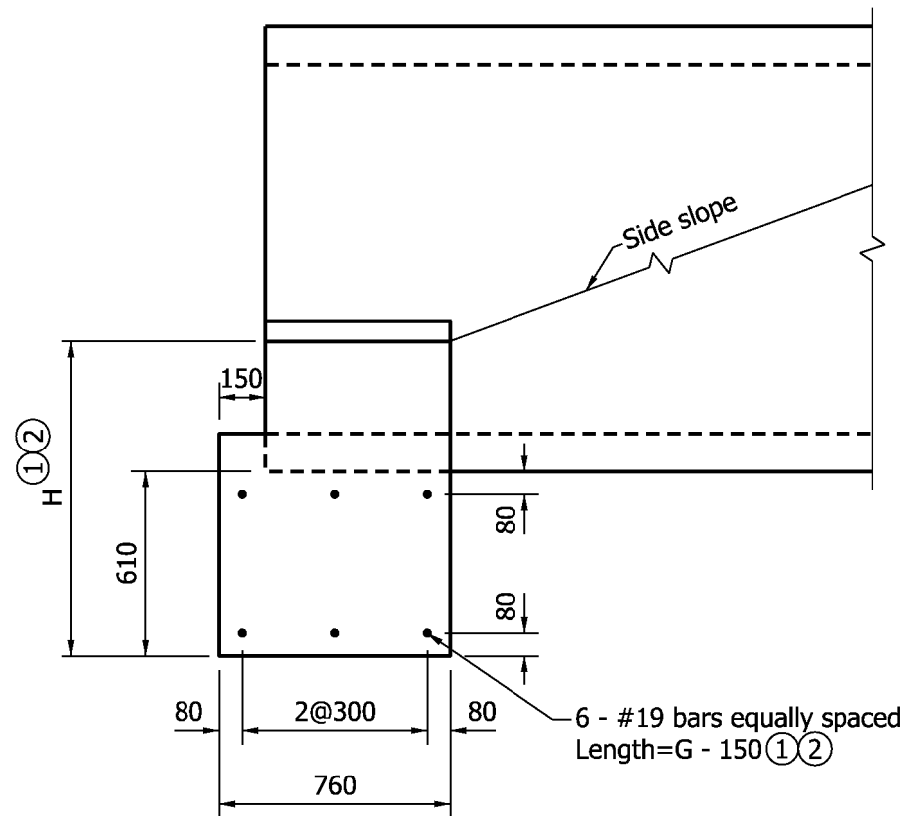


ANCHOR FOR
REINFORCED CONCRETE PIPE
FRONT ELEVATION



ANCHOR FOR
REINFORCED CONCRETE HORIZONTAL ELLIPTICAL PIPE
FRONT ELEVATION



SIDE ELEVATION

GENERAL NOTES

- 1 For dimension, enter chart on Standard Drawing 715-ANCH-01 with known dimension D.
- 2 For dimension enter chart on Standard Drawing 715-ANCH-02 with known span and rise.
3. Riprap shall be placed at the ends of pipe structures when shown on plans.

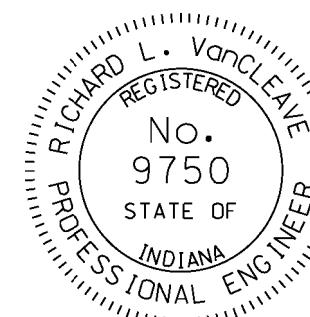
All Dimensions are in mm unless otherwise specified.

INDIANA DEPARTMENT OF TRANSPORTATION

SINGLE PIPE
CONCRETE ANCHOR

SEPTEMBER 2009

STANDARD DRAWING NO. 715-SPCA-02



/s/ Richard L. VanCleave 09/01/09
DESIGN STANDARDS ENGINEER DATE

/s/ Mark A. Miller 09/01/09
CHIEF HIGHWAY ENGINEER DATE

DESIGN STANDARDS ENGINEER