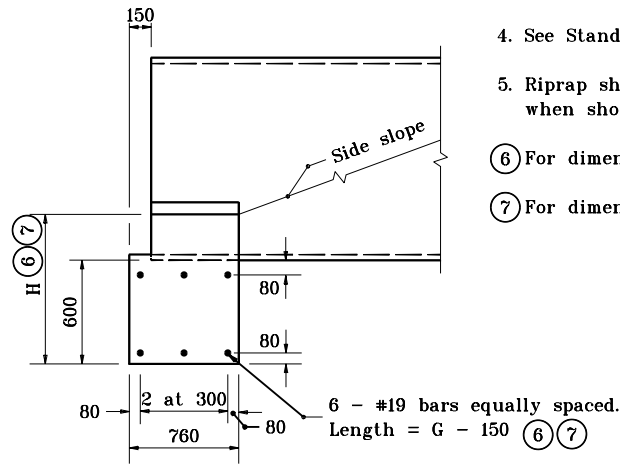
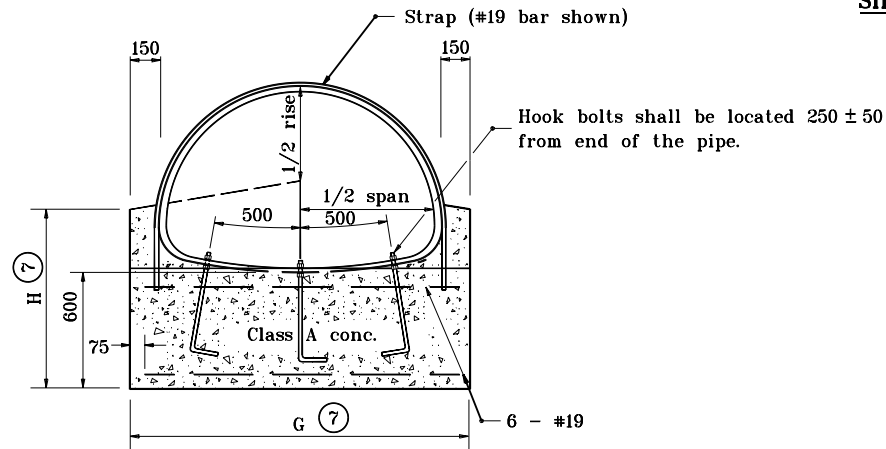


**ANCHOR FOR CIRCULAR CORRUGATED METAL PIPE  
FRONT ELEVATION**



**SIDE ELEVATION**



**ANCHOR FOR CORRUGATED METAL PIPE-ARCH  
FRONT ELEVATION**

**GENERAL NOTES**

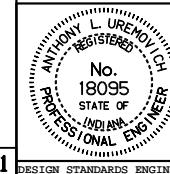
1. Anchor straps shall be used at both upstream and downstream ends of all C.M. pipes with a diameter or span of 1050 or greater.
2. See Standard Drawing 715-PASD-01 for anchor strap details.
3. Hook bolts and anchor straps shall be used for all C.M. pipes with a diameter or span of 2100 or greater.
4. See Standard Drawing 715-PAHB-01 for hook bolt details.
5. Riprap shall be placed at the ends of pipe structures when shown on plans.

- ⑥ For dimension chart see Standard Drawing 715-ANCH-01.
- ⑦ For dimension chart see Standard Drawing 715-ANCH-02.

**LEGEND**

C.M. = Corrugated Metal

All dimensions are in mm unless otherwise specified.  
 INDIANA DEPARTMENT OF TRANSPORTATION  
**SINGLE PIPE  
 CONCRETE ANCHOR**  
 JANUARY 1998  
 STANDARD DRAWING NO. 715-SPCA-01



/s/ Anthony L. Uremovich 1-02-98  
 DESIGN STANDARDS ENGINEER DATE

/s/ Donald W. Lucas 1-02-98  
 CHIEF HIGHWAY ENGINEER DATE

Source Sheet: ME1