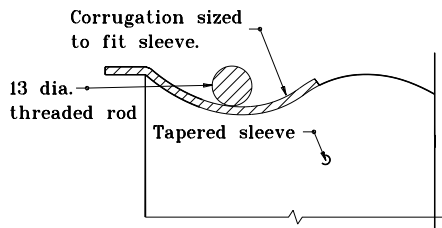
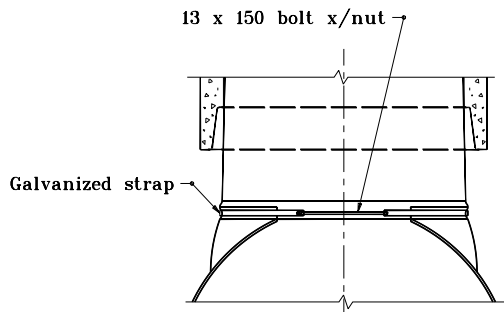


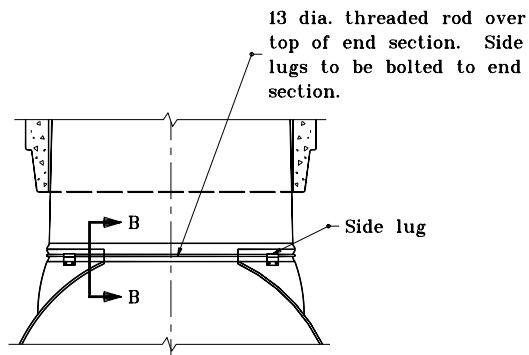
SMOOTH TAPERED SLEEVE DETAIL



SECTION B-B



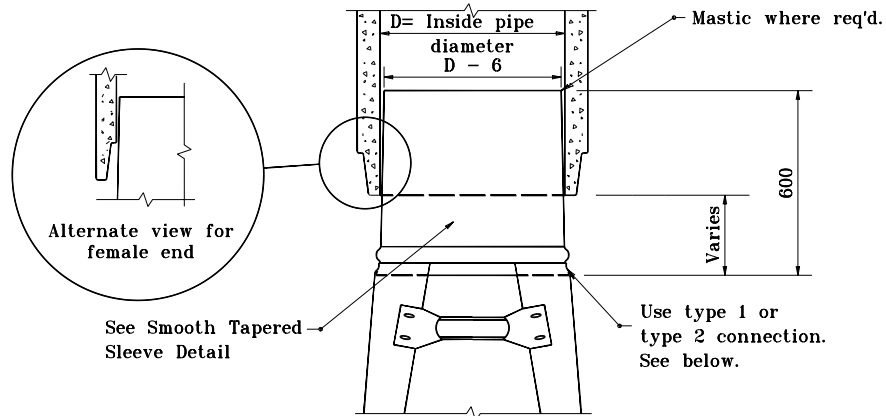
TYPE 1 CONNECTOR DETAIL
for all circular pipes through 600



TYPE 2 CONNECTOR DETAIL
all circular pipes larger than 600
and all horizontal elliptical pipes

GENERAL NOTES

1. For circular pipe diameters through 600, attach end section to pipe with type 1 connector. For all other sizes, attach end section to pipe with type 2 connector.



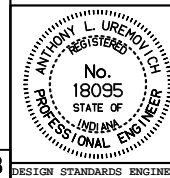
**TAPERED SLEEVE FOR ATTACHING
STEEL END SECTION TO SMOOTH INTERIOR PIPE**

All dimensions are in mm unless otherwise specified.

INDIANA DEPARTMENT OF TRANSPORTATION
**SAFETY METAL CULVERT END
SECTIONS FOR SMOOTH PIPE**

JANUARY 1998

STANDARD DRAWING NO. 715-SMES-08



/s/ Anthony L. Uremovich 1-02-98
DESIGN STANDARDS ENGINEER DATE

/s/ Donald W. Lucas 1-02-98
CHIEF HIGHWAY ENGINEER DATE

Source Sheet: SMES3