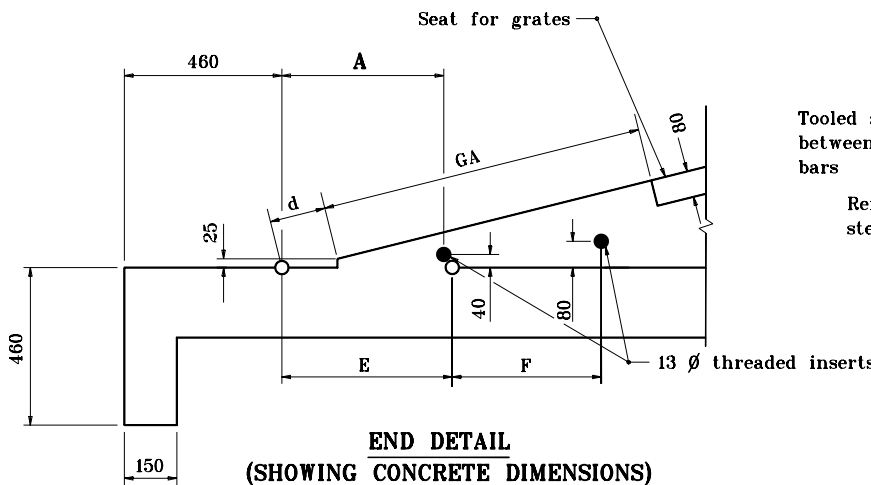
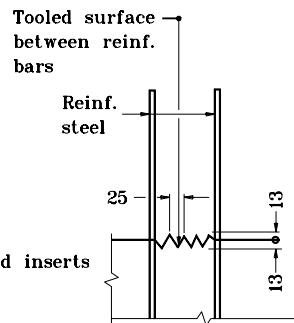


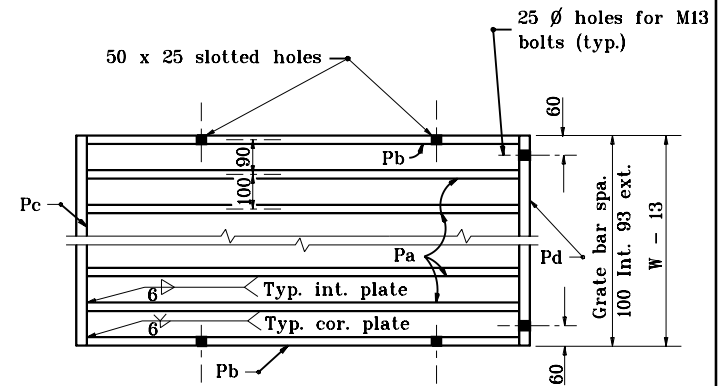
GRATE B & C



**END DETAIL
(SHOWING CONCRETE DIMENSIONS)**

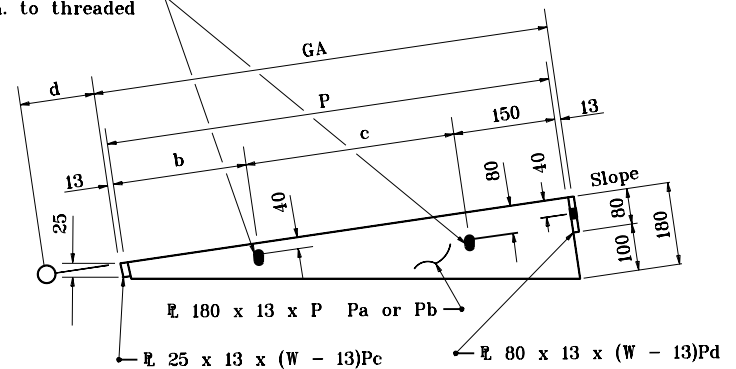


**TYPE A CONSTR.
JOINT**

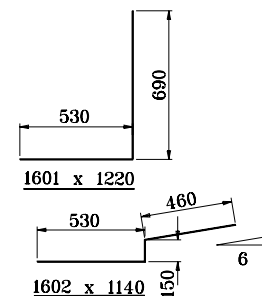


PLAN VIEW

25 x 50 slotted hole in ℓ . Pb only for M13 bolt conn. to threaded inserts.

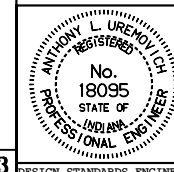


**ELEVATION
GRATE A**



All dimensions are in mm unless otherwise specified.

INDIANA DEPARTMENT OF TRANSPORTATION	
GRATED BOX END SECTION TYPE II	
JANUARY 1999	
STANDARD DRAWING NO. 715-GBTT-02	



/s/ Anthony L. Uremovich 1-04-99
DESIGN STANDARDS ENGINEER DATE

/s/ Donald W. Lucas 1-04-99
CHIEF HIGHWAY ENGINEER DATE