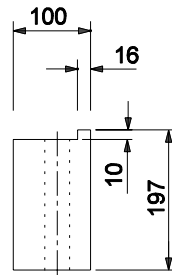
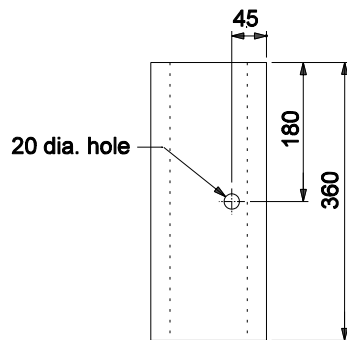


**TOP VIEW**

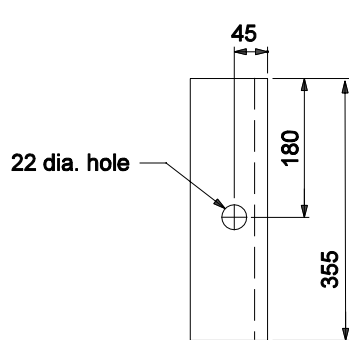


**TOP VIEW**



**FRONT VIEW**

**TIMBER BLOCK DETAIL A**

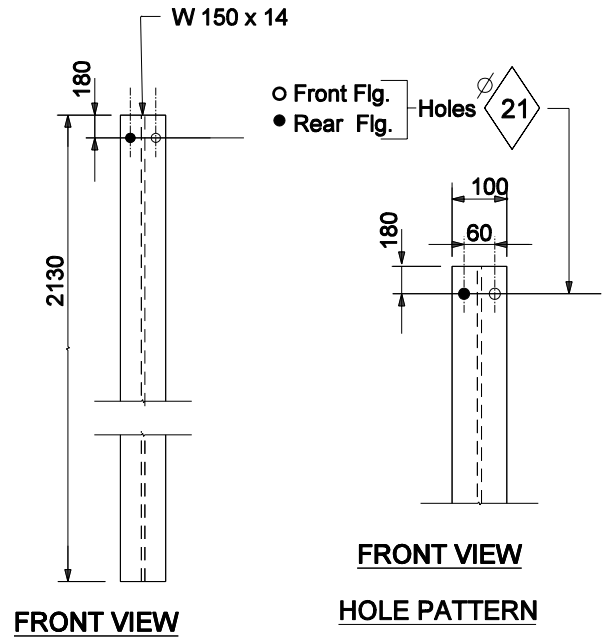


**FRONT VIEW**

**TIMBER BLOCK DETAIL B**

**NOTES:**

- ① These dimensions shall be adjusted as required to accommodate steel post flange.
- 2 Timber blocks shown in either Detail A or Detail B may be used.



**FRONT VIEW**

**FRONT VIEW**

**HOLE PATTERN**

**STEEL POST DETAIL**

All dimensions are in mm unless otherwise specified

INDIANA DEPARTMENT OF TRANSPORTATION

**W - BEAM  
GUARDRAIL COMPONENTS**

SEPTEMBER 2004

STANDARD DRAWING NO. 601-WBGC-03

	<p><i>/s/ Richard L. VanCleave</i>      3-01-04 DESIGN STANDARDS ENGINEER      DATE</p> <p><i>/s/ Richard K. Smutzer</i>      3-01-04 CHIEF HIGHWAY ENGINEER      DATE</p>
--	--

DESIGN STANDARDS ENGINEER