

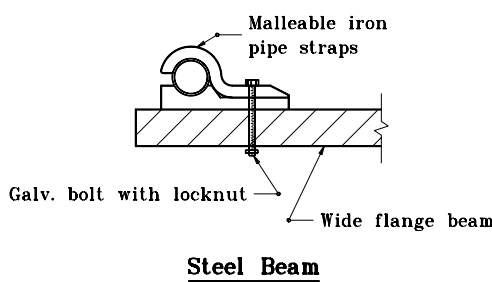
GENERAL NOTES

① If feasible, conduit to be installed on coping of bent; if not, install as shown on end of bridge not facing traffic.

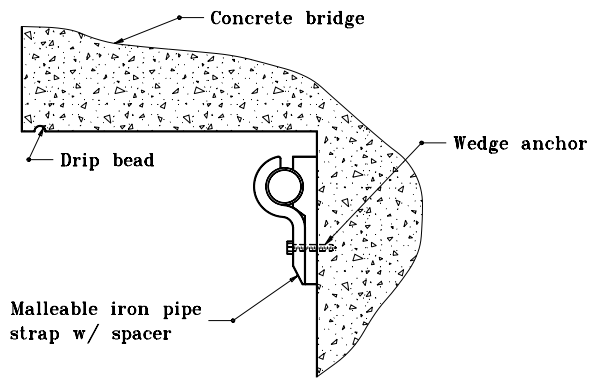
2" conduit - Terminates 2 ft below grade without elbow & with grounding bushing

2" conduit - Terminates 2 ft below grade without elbow & with grounding bushing ①

ELEVATION



DETAIL A



Concrete Beam

INDIANA DEPARTMENT OF TRANSPORTATION	
UNDERPASS LIGHTING DETAILS	
MARCH 1995	
STANDARD DRAWING NO. E 807-LTUP-01	
DETAILS PLACED IN THIS FORMAT	7-27-99
/s/ Anthony L. Uremovich	7-27-99
DESIGN STANDARDS ENGINEER	DATE
/s/ Firooz Zandi	7-27-99
CHIEF HIGHWAY ENGINEER	DATE
DESIGN STANDARDS ENGINEER	ORIGINALLY APPROVED 3-01-95