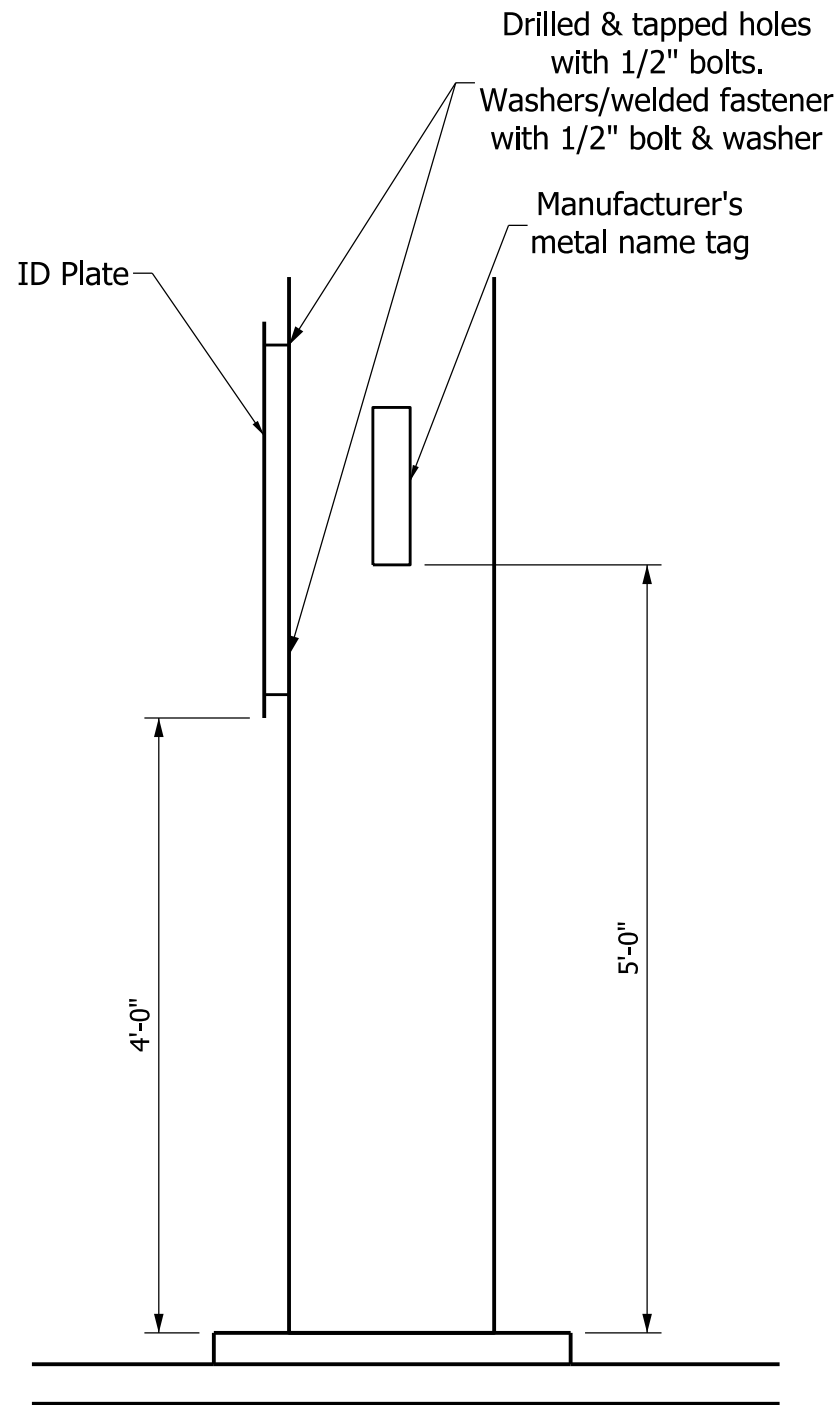
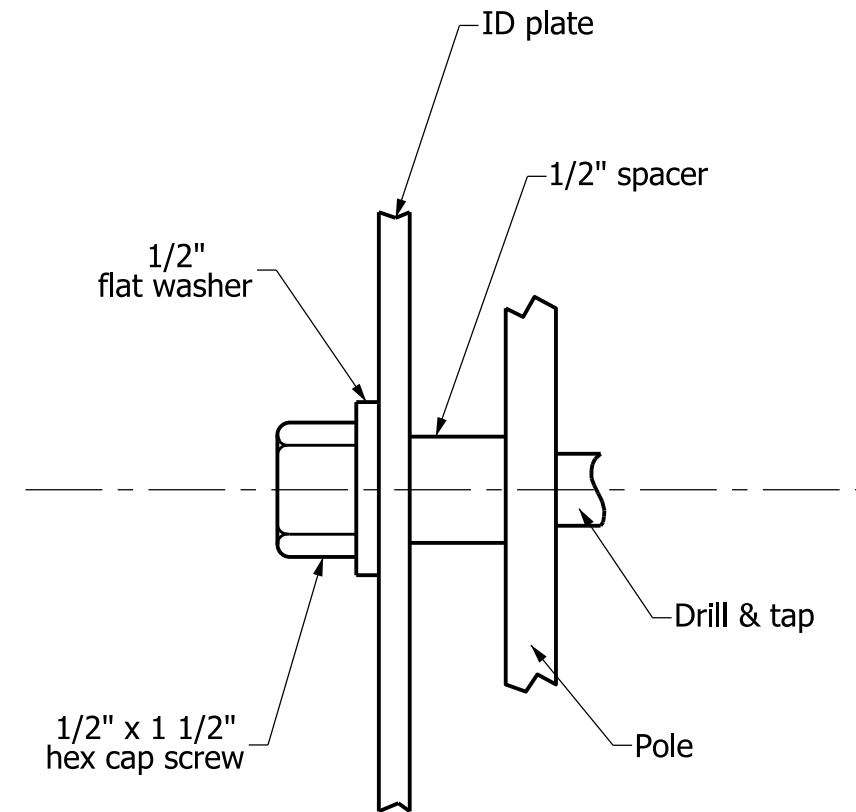


ID PLATE DETAIL



HIGH MAST POLE



MOUNTING DETAIL

INDIANA DEPARTMENT OF TRANSPORTATION	
HIGH MAST POLE ID PLATES	
SEPTEMBER 2010	
STANDARD DRAWING NO.	E 807-LTHM-01
	/s/ <i>Richard L. VanCleave</i> 09/01/10
	DESIGN STANDARDS ENGINEER DATE
DESIGN STANDARDS ENGINEER	/s/ <i>Mark A. Miller</i> 09/01/10
	CHIEF HIGHWAY ENGINEER DATE