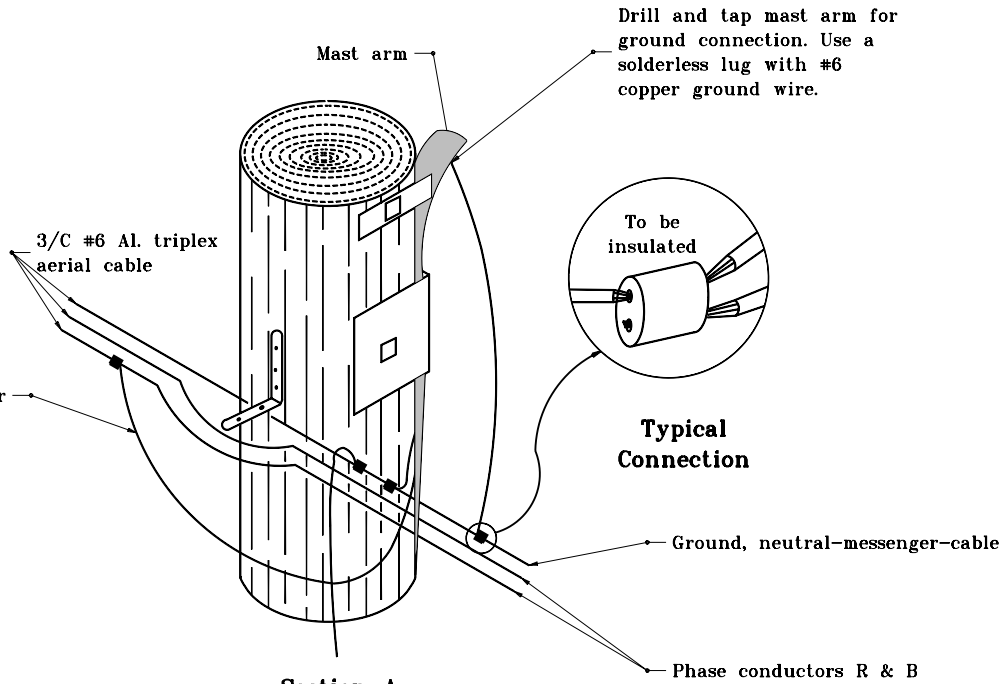
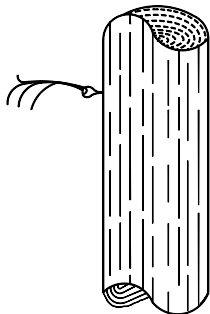


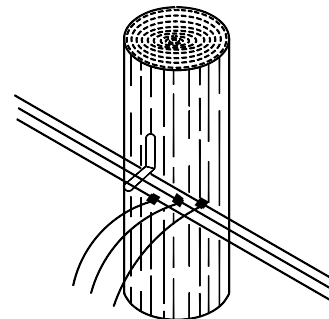
Conduit Riser



**Section A
Typical Aerial Luminaire
Connection with Ground**



**Aerial Cable
Termination**



**Typical Circuit
Connection to
Aerial Cable**

INDIANA DEPARTMENT OF TRANSPORTATION	
TEMPORARY HIGHWAY ILLUMINATION DETAILS	
JANUARY 2000	
STANDARD DRAWING NO. E 807-LTHI-07	
	/s/ Anthony L. Uremovich 1-03-00 DESIGN STANDARDS ENGINEER DATE
	/s/ Firooz Zandi 1-03-00 CHIEF HIGHWAY ENGINEER DATE
<small>DESIGN STANDARDS ENGINEER</small>	