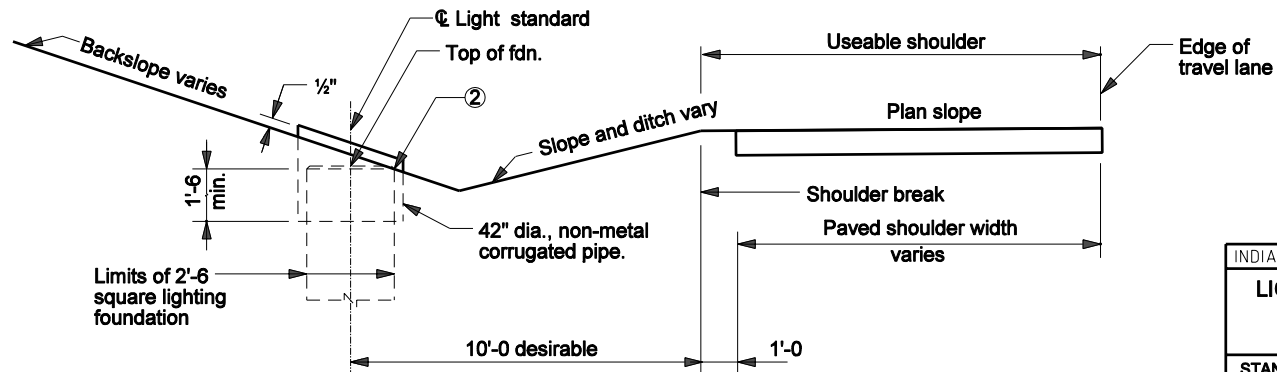


**ELEVATION, CUT SECTION, ROUND FOUNDATION**

**Notes:**

- ① ② See Standard Drawing E 807-LTFD-05 for General Notes.
- 3. Transformer base door shall face roadway.
- 4. Foundation shall not be installed in ditch flow line.



**ELEVATION, CUT SECTION, SQUARE FOUNDATION**

INDIANA DEPARTMENT OF TRANSPORTATION	
<b>LIGHT STANDARD FOUNDATION GRADING CUT SECTION</b>	
SEPTEMBER 2005	
STANDARD DRAWING NO. E 807-LTFD-04	
	/s/ Richard L. VanCleave 9-01-05 DESIGN STANDARDS ENGINEER DATE
	/s/ Richard K. Smutzer 9-01-05 CHIEF HIGHWAY ENGINEER DATE
DESIGN STANDARDS ENGINEER	