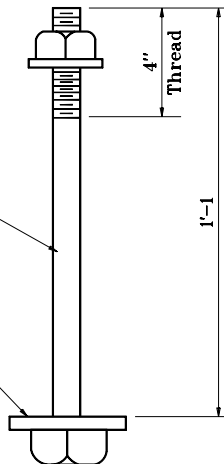


603 x 8'-11

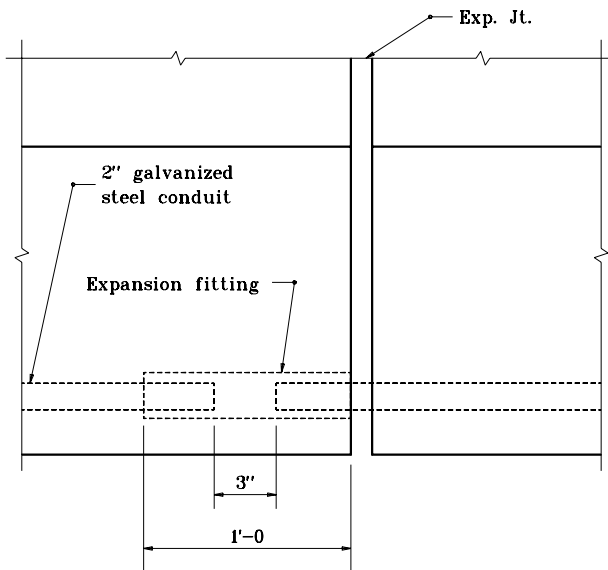
1" x 1'-1 bolt (with square head, hex nut & cut washer)

Ø 4"x 4" x 1/4"

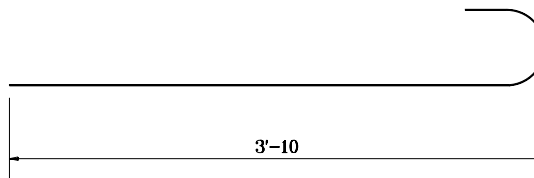


Galvanize thread, hex nut & cut washer.

ANCHOR BOLT AR-22



EXPANSION SLEEVE



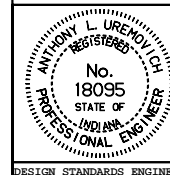
602 x 4'-8

INDIANA DEPARTMENT OF TRANSPORTATION

BRIDGE LIGHTING DETAILS

SEPTEMBER 1997

STANDARD DRAWING NO. **E 807-BLIT-03**



DETAILS PLACED IN THIS FORMAT 11-15-99

/s/ Anthony L. Uremovich 11-15-99
DESIGN STANDARDS ENGINEER DATE

/s/ Firooz Zandi 11-15-99
CHIEF HIGHWAY ENGINEER DATE

DESIGN STANDARDS ENGINEER

ORIGINALLY APPROVED 9-01-97