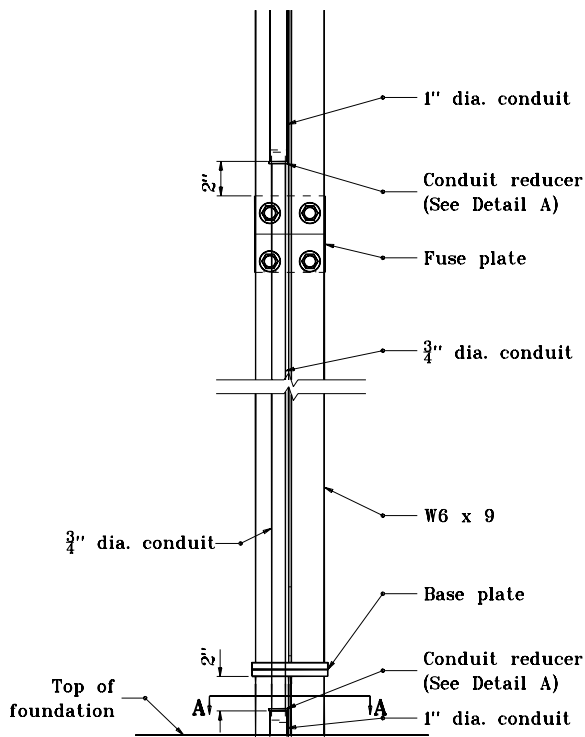
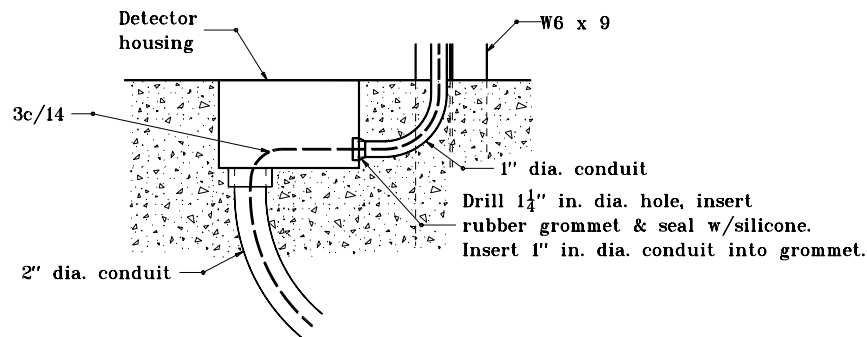


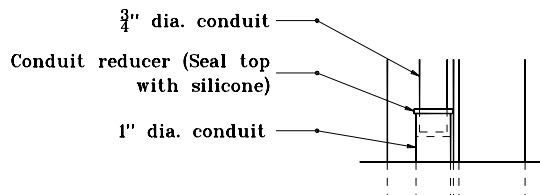
SECTION A-A



CONDUIT DETAIL



DETECTOR HOUSING DETAIL



**DETAIL A
(INVERT FOR TOP CONDUIT JOINT)**

INDIANA DEPARTMENT OF TRANSPORTATION	
FLASHING BEACON WITH WARNING SIGN DETAILS	
SEPTEMBER 1998	
STANDARD DRAWING NOE 805-SGFB-01A	
DETAILS PLACED IN THIS FORMAT 11-15-99	
	/s/ Anthony L. Uremovich 11-15-99 DESIGN STANDARDS ENGINEER DATE
	/s/ Firooz Zandi 11-15-99 CHIEF HIGHWAY ENGINEER DATE
	ORIGINALLY APPROVED 9-01-98