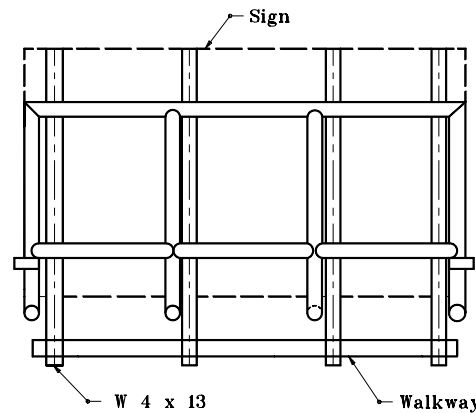
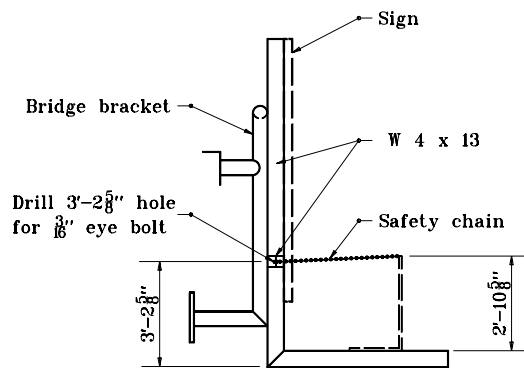
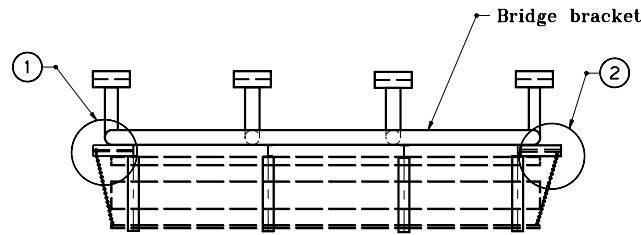


GENERAL NOTES

- ① See Standard Drawing E 802-SNWW-11 for Detail C.
- ② See Standard Drawing E 802-SNWW-11 for Detail D.



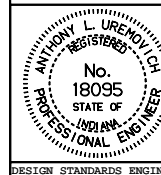
**CHAIN SUPPORT FOR
BRIDGE BRACKET**

INDIANA DEPARTMENT OF TRANSPORTATION

SIGN WALKWAY DETAILS

SEPTEMBER 2001

STANDARD DRAWING NO. E 802-SNWW-09



/s/ Anthony L. Uremovich 9-04-01
DESIGN STANDARDS ENGINEER DATE

/s/ Firooz Zandi 9-04-01
CHIEF HIGHWAY ENGINEER DATE

DESIGN STANDARDS ENGINEER