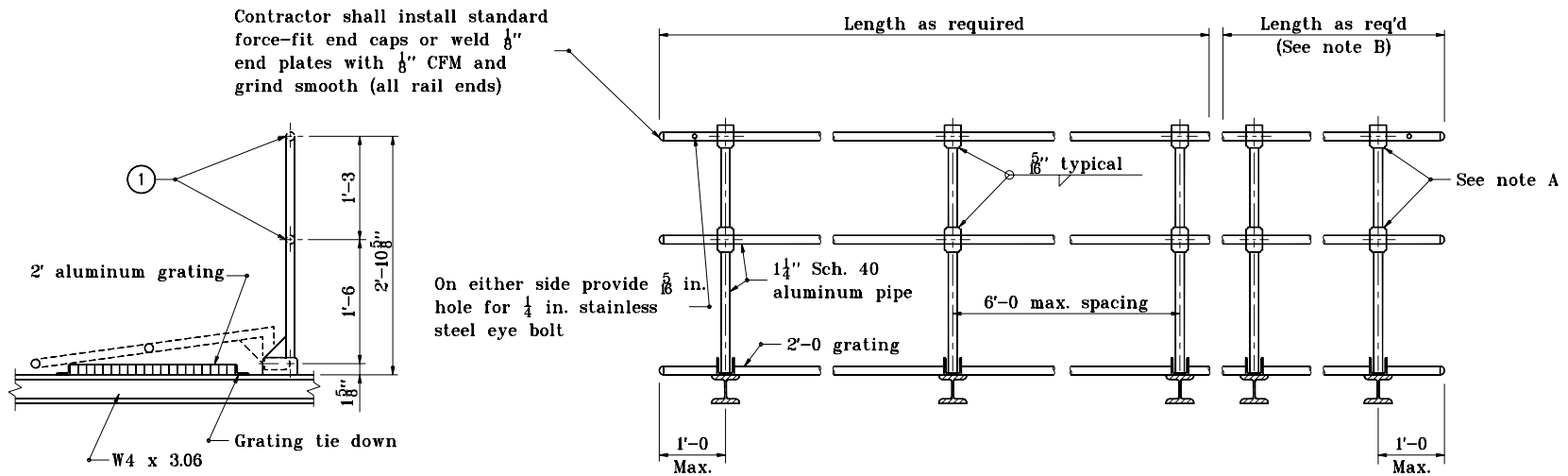


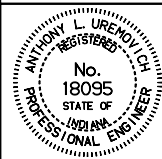
GENERAL NOTES

- ① Horizontal rail member shall be continuous thru fitting. Provide $\frac{7}{16}$ in. hole in fitting for $\frac{3}{8}$ in. bolt. Field drill $\frac{7}{16}$ in. hole in horizontal rail member. Provide $\frac{3}{8}$ in. washer & $\frac{3}{8}$ in. locknut for bolt.
2. Rail and grating shall span a minimum of three brackets.



SIDE ELEVATION

FRONT ELEVATION

INDIANA DEPARTMENT OF TRANSPORTATION	
SIGN WALKWAY/ HANDRAIL DETAIL	
SEPTEMBER 2001	
STANDARD DRAWING NO.E 802-SNWW-04	
	/s/ Anthony L. Uremovich 9-04-01 <small>DESIGN STANDARDS ENGINEER DATE</small>
<small>DESIGN STANDARDS ENGINEER</small>	/s/ Firooz Zandi 9-04-01 <small>CHIEF HIGHWAY ENGINEER DATE</small>