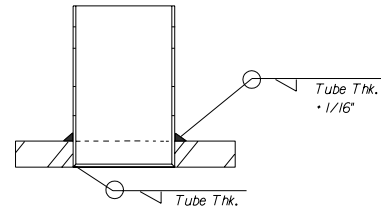
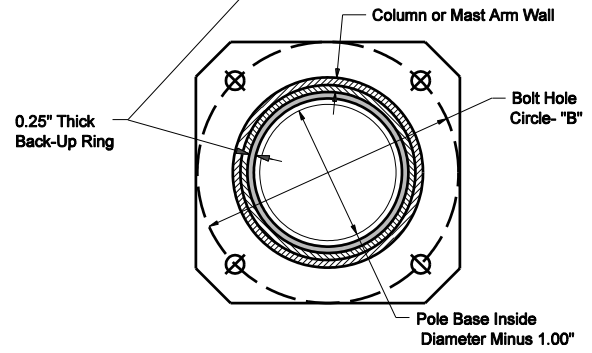
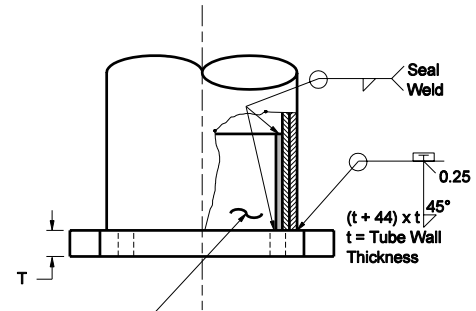


GROUNDING CONNECTION

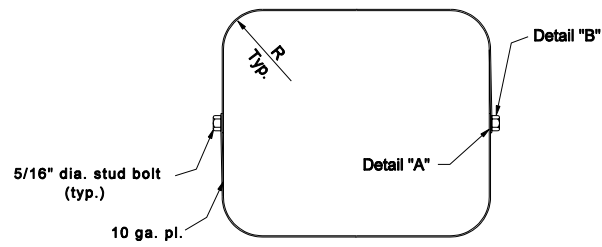


**COLUMN - TO BASE PLATE OR
MAST - ARM - TO - FLANGE - PLATE
SOCKET CONNECTIONS
SINGLE-PLY TUBE**

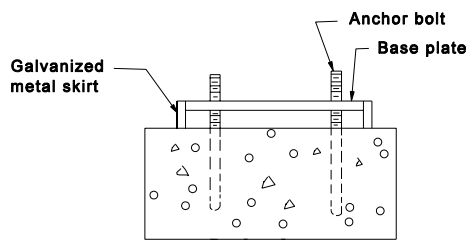


**COLUMN - TO BASE PLATE OR
MAST - ARM - TO - FLANGE - PLATE
BUTT-SPLICES**

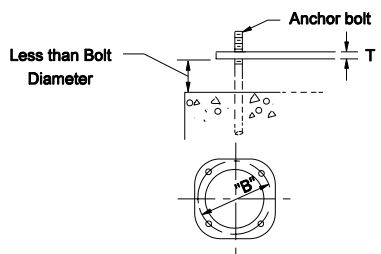
MULTI-PLY TUBE



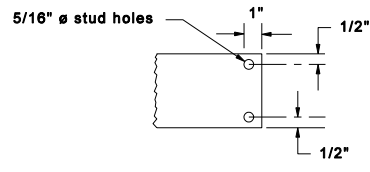
SKIRT DETAIL



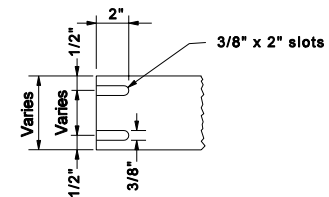
GALVANIZED METAL COVER



BASE PLATE



DETAIL "A"



DETAIL "B"

INDIANA DEPARTMENT OF TRANSPORTATION	
OVERHEAD SIGN DETAILS	
MARCH 2006	
STANDARD DRAWING NO. E 802-SNOC-05	
	/s/ Richard L. VanCleave 3-01-06 DESIGN STANDARDS ENGINEER DATE
	/s/ Richard K. Smutzer 3-01-06 CHIEF HIGHWAY ENGINEER DATE
DESIGN STANDARDS ENGINEER	