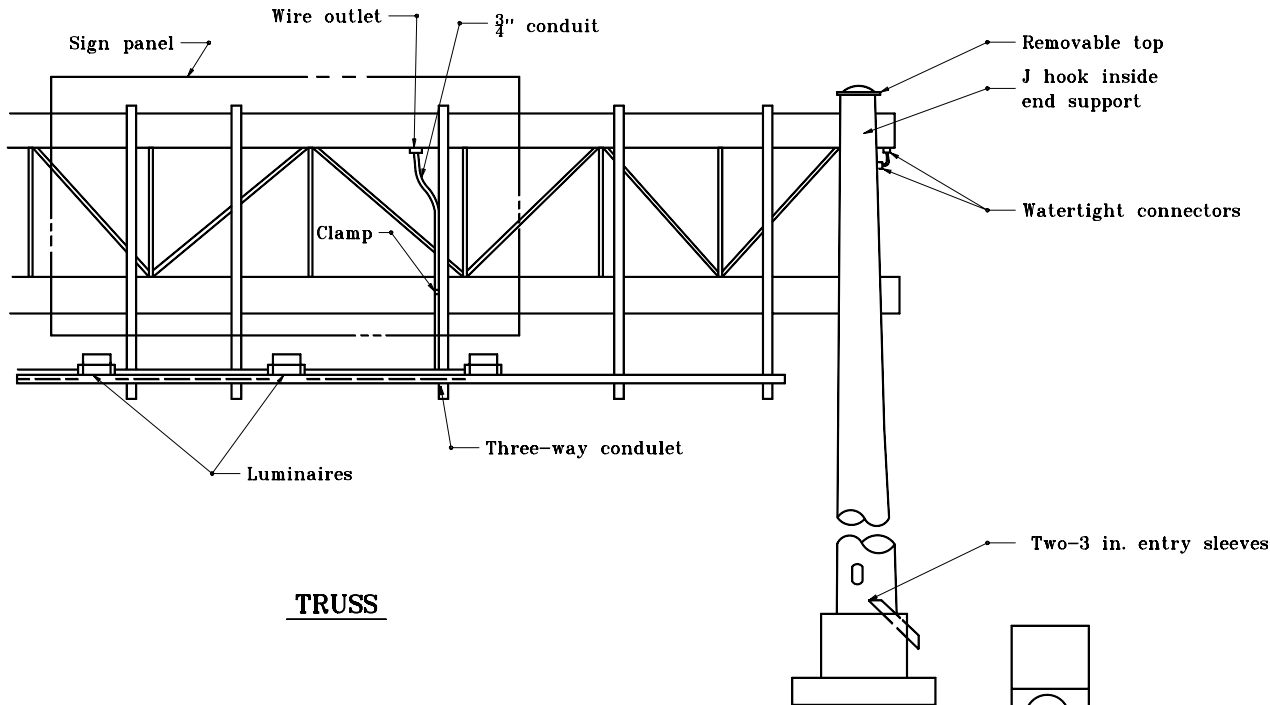
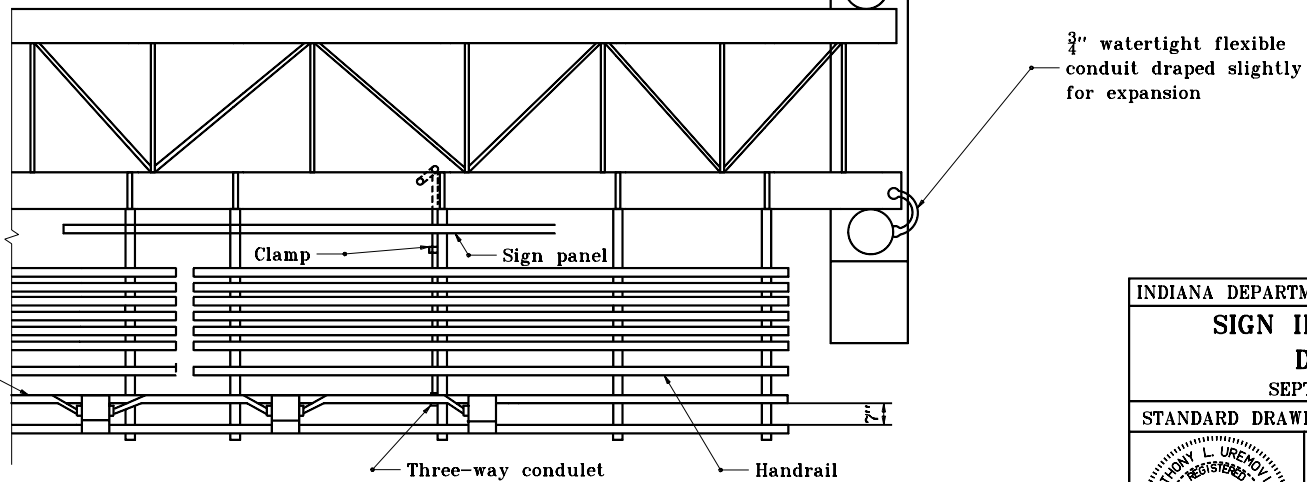


GENERAL NOTES

1. For grating details see Std. Dwg. No. E 802-SNWW-02.



TRUSS



Top View

TRUSS PLAN

Lay 3/4" conduit on channel and clamp at intervals not exceeding 10'

INDIANA DEPARTMENT OF TRANSPORTATION	
SIGN ILLUMINATION DETAILS	
SEPTEMBER 2001	
STANDARD DRAWING NO. E 802-SNIL-03	
	/s/ Anthony L. Uremovich 9-04-01 DESIGN STANDARDS ENGINEER DATE
	/s/ Firooz Zandi 9-04-01 CHIEF HIGHWAY ENGINEER DATE
<small>DESIGN STANDARDS ENGINEER</small>	