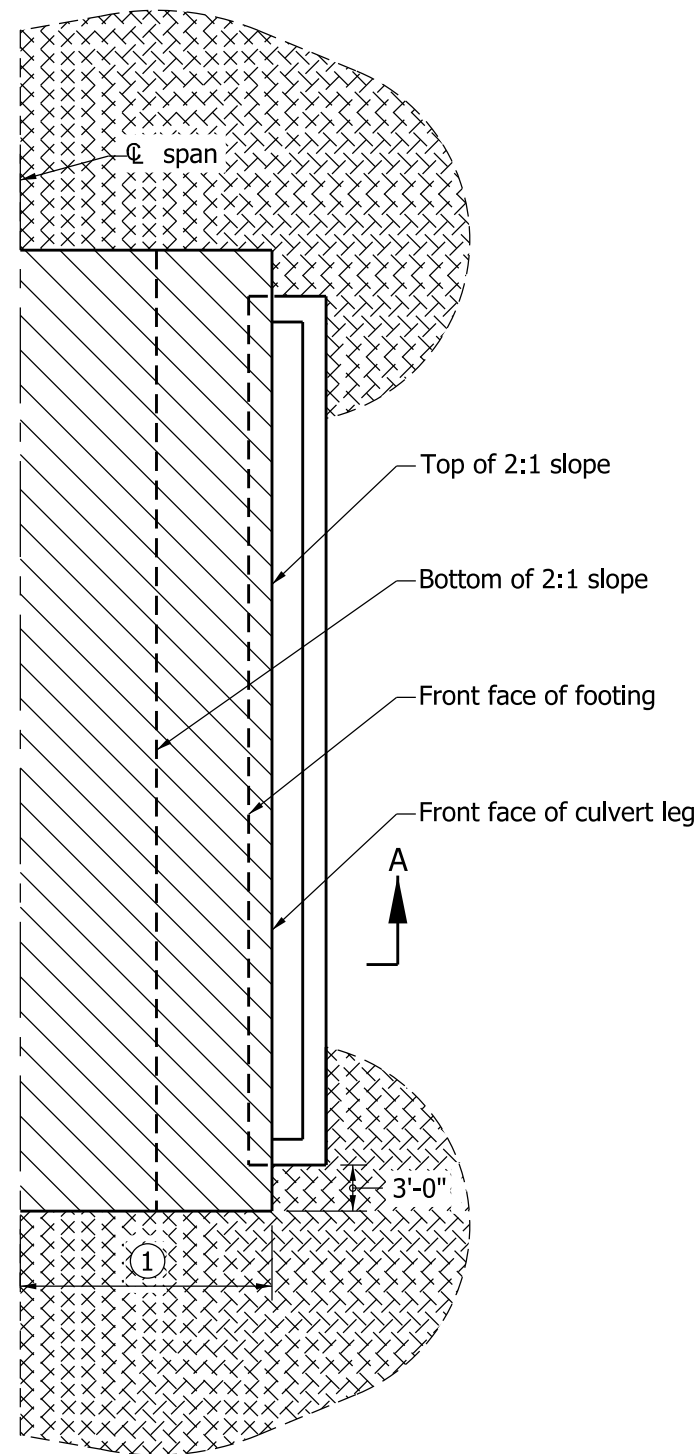


PLAN - WITH WINGWALLS



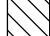

PLAN - PROJECTING

RIPRAP METHOD

NOTES:

- ① Half of span width.
- 2. See Standard Drawing E 723-CCSP-02 for Section A-A.

LEGEND:

-  Limits of scour protection within limits of structure.
-  Limits of scour protection shown on plans outside limits of structure.

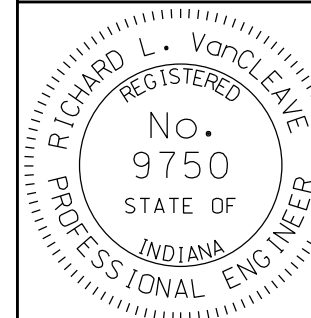
INDIANA DEPARTMENT OF TRANSPORTATION

THREE-SIDED CONCRETE CULVERT
SCOUR PROTECTION

10'-0" ≤ SPAN WIDTH < 20'-0"

SEPTEMBER 2010

STANDARD DRAWING NO. E 723-CCSP-01



/s/ *Richard L. VanCleave* 09/01/10
DESIGN STANDARDS ENGINEER DATE

/s/ *Mark A. Miller* 09/01/10
CHIEF HIGHWAY ENGINEER DATE

DESIGN STANDARDS ENGINEER