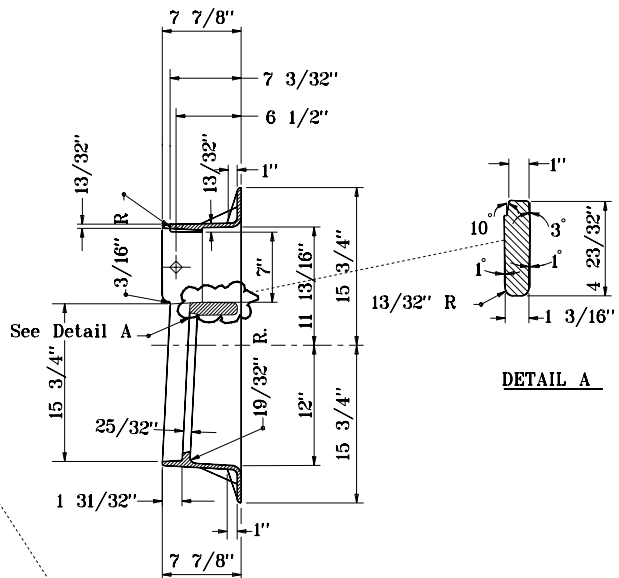
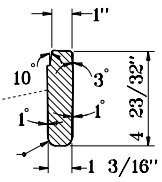


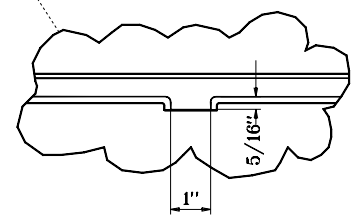
**PLAN**



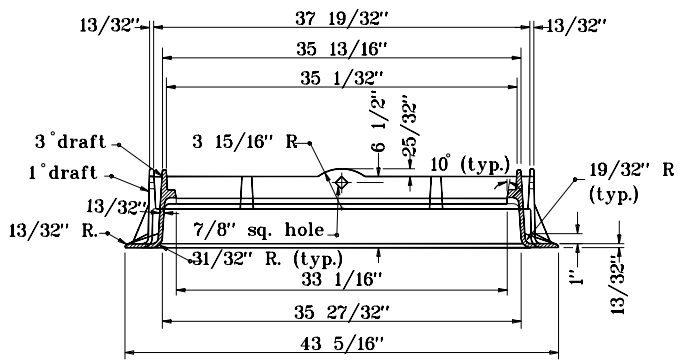
**SECTION B-B**



**DETAIL A**



**DETAIL B**



**SECTION A-A**

**FRAME  
CASTING TYPE 10**

INDIANA DEPARTMENT OF TRANSPORTATION	
<b>CASTINGS TYPE 10</b>	
<b>FRAME</b>	
SEPTEMBER 1998	
<b>STANDARD DRAWING NO. E 720-ICCA-08</b>	
	DETAILS PLACED IN THIS FORMAT 11-15-99 /s/ Anthony L. Uremovich 11-15-99 DESIGN STANDARDS ENGINEER DATE
	/s/ Firooz Zandi 11-15-99 CHIEF HIGHWAY ENGINEER DATE
	DESIGN STANDARDS ENGINEER ORIGINALLY APPROVED 9-01-98