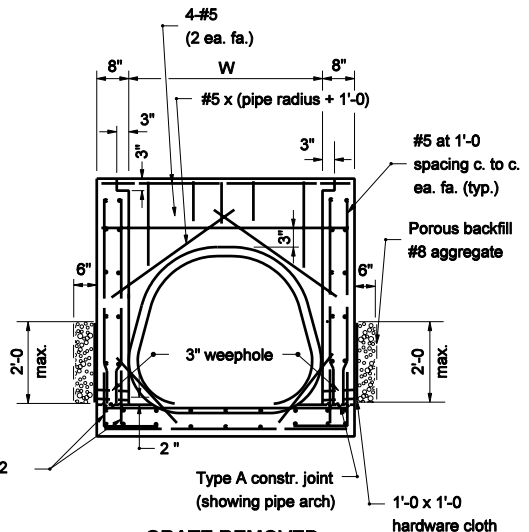
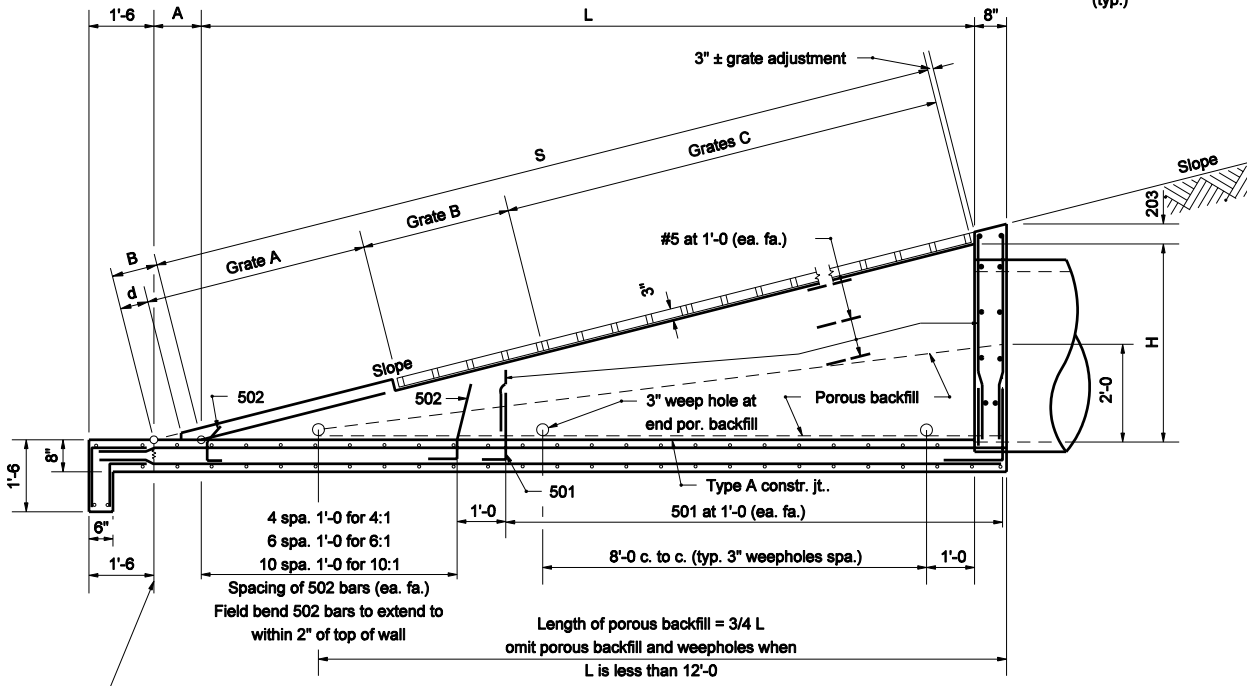


PLAN VIEW



**GRATE REMOVED
SECTION B-B**

501 or 502
lap w/#5
(typ.)



SECTION A-A

Poured in place toewall
(when precast unit is used)

GENERAL NOTES

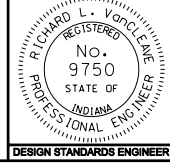
1. The invert grade of the grated box end section shall be the same as that of the pipe.
2. See Standard Drawings E 715-GBTT-05 and -06 for dimensions tables.
3. See Standard Drawing E 715-GBTT-02 for bending diagrams.
4. Type II grated box end sections shall be used for culverts parallel to the mainline within the clear zone.

INDIANA DEPARTMENT OF TRANSPORTATION

**GRATED BOX END
SECTION TYPE II**

MARCH 2006

STANDARD DRAWING NO. E 715-GBTT-03



/s/ Richard L. VanCleave 3-01-06
DESIGN STANDARDS ENGINEER DATE

/s/ Richard K. Smutzer 3-01-06
CHIEF HIGHWAY ENGINEER DATE