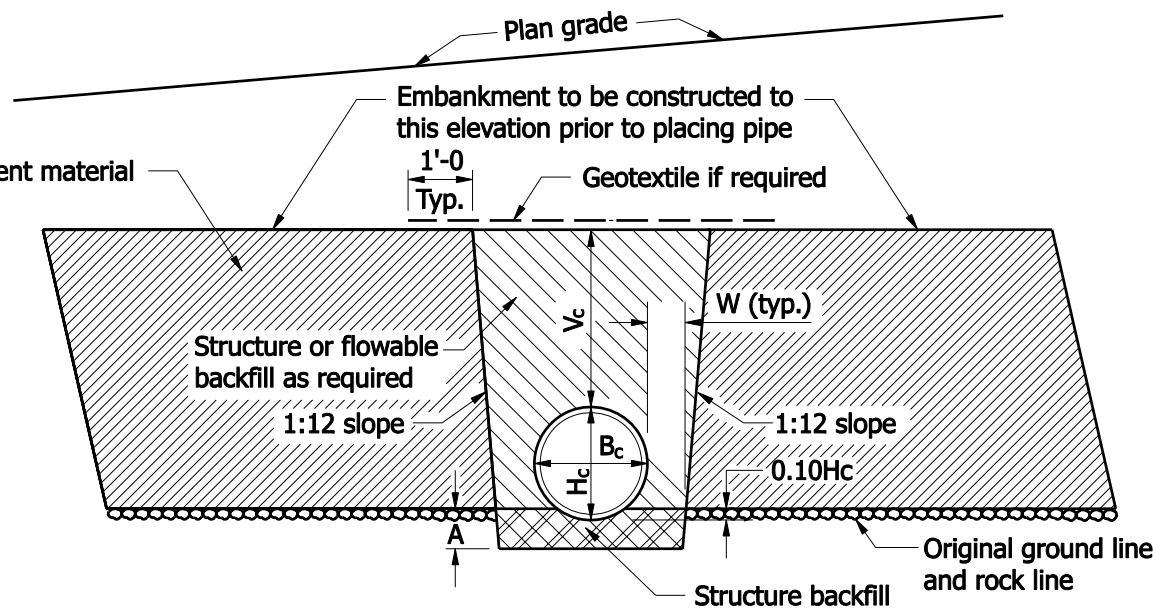


SECTION F-F



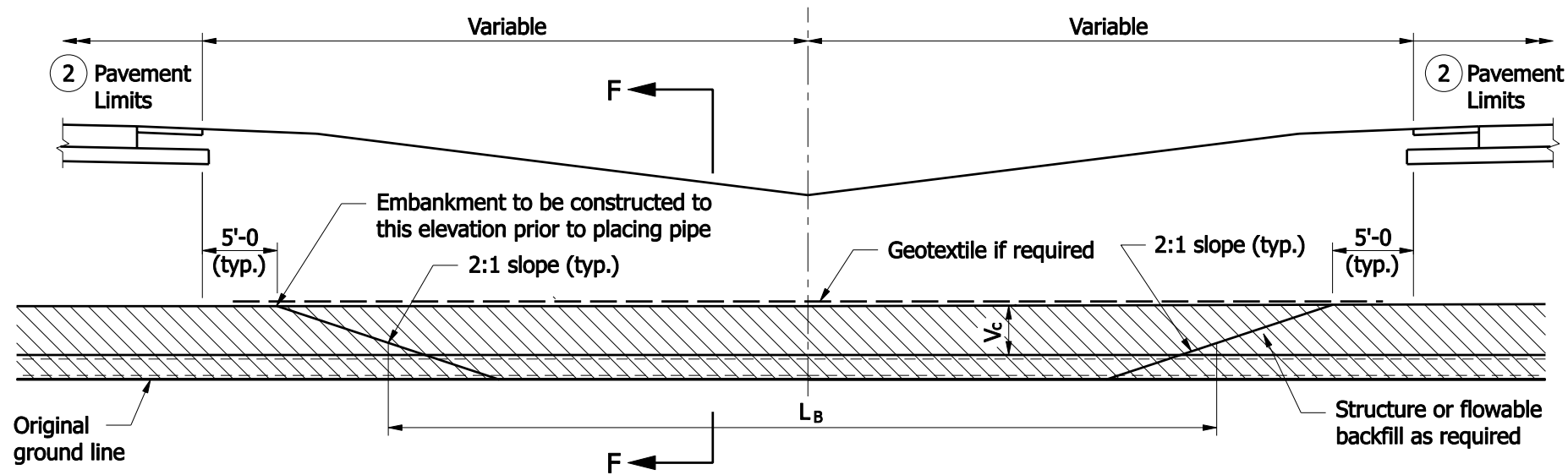
SECTION F-F
ROCK FOUNDATION

NOTES :

1. Protective cover shall be constructed prior to running heavy equipment over installed pipes. The minimum covers are listed below:
 - a.) 1.5' for $B_c \leq 18"$
 - b.) 3' for $18" < B_c \leq 54"$
 - c.) 4' for $B_c > 54"$
2. For backfill purposes, paved shoulders, curbs, and sidewalks are considered pavement. See Standard Drawing E 715-BKFL-10 for pavement limits when curbs, paved shoulders, or sidewalks are present.

LEGEND

- H_c = Overall diameter or rise (typ.)
- B_c = Overall diameter or span
- A = 8" min. for fill height less than 16'
= 12" min. for fill height of 16' or more
- V_c = 12" for $B_c \leq 18"$
= 18" for $B_c > 18"$
- W = $0.3 B_c$ or 9", whichever is greater
- L_B = Backfill length measured from toe to toe of the 2:1 slopes.



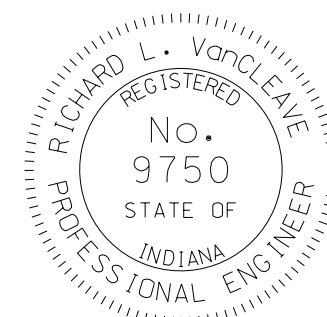
ELEVATION THRU MEDIAN STRIP

INDIANA DEPARTMENT OF TRANSPORTATION

PIPE BACKFILL METHOD 1
MEDIAN INSTALLATION, EMBANKMENT

SEPTEMBER 2008

STANDARD DRAWING NO. E 715-BKFL-09



/s/ Richard L. VanCleave 09/02/08
DESIGN STANDARDS ENGINEER DATE

/s/ Mark A. Miller 09/02/08
CHIEF HIGHWAY ENGINEER DATE

DESIGN STANDARDS ENGINEER