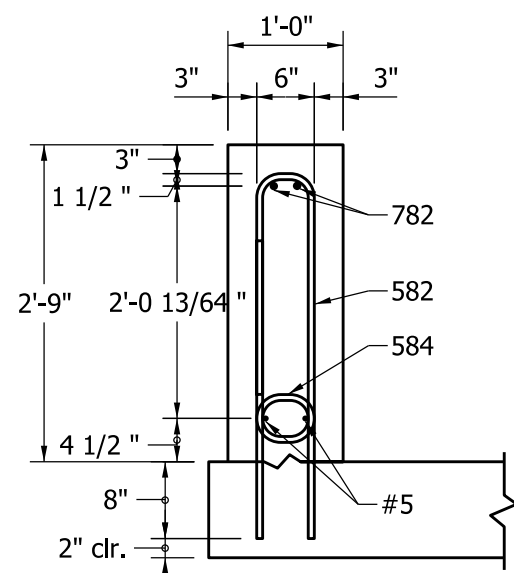
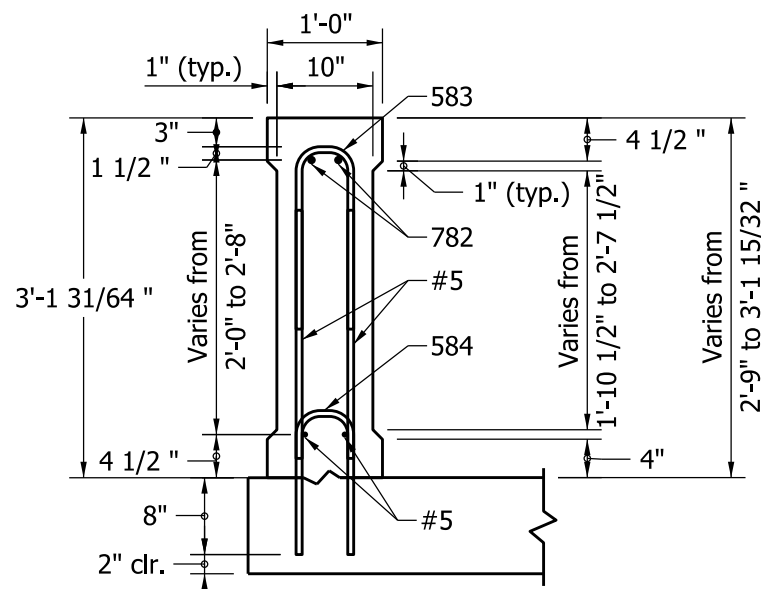


**Notes:**

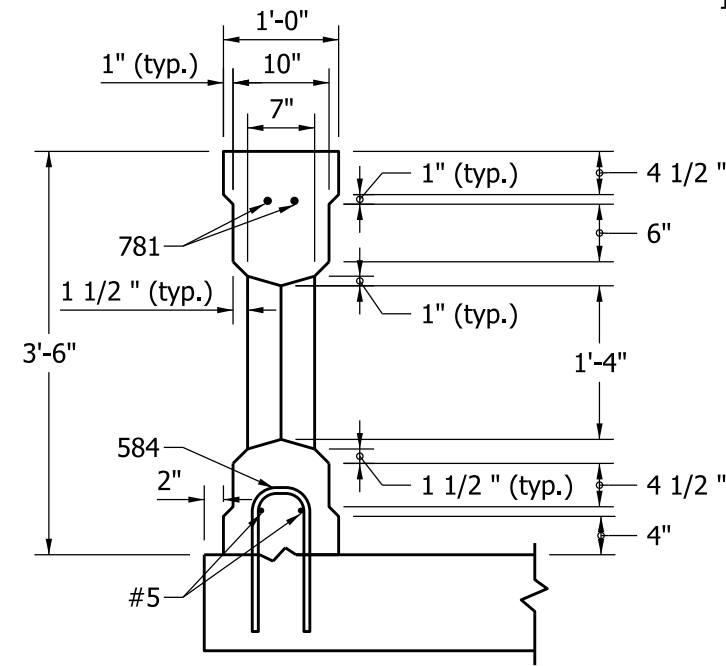
1. See Standard Drawing E 706-TTBP-09 for general notes.



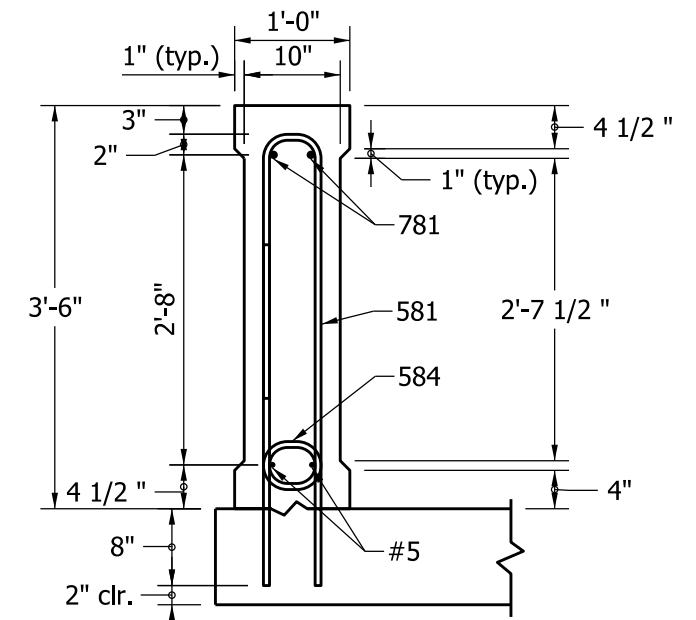
**SECTION D-D**



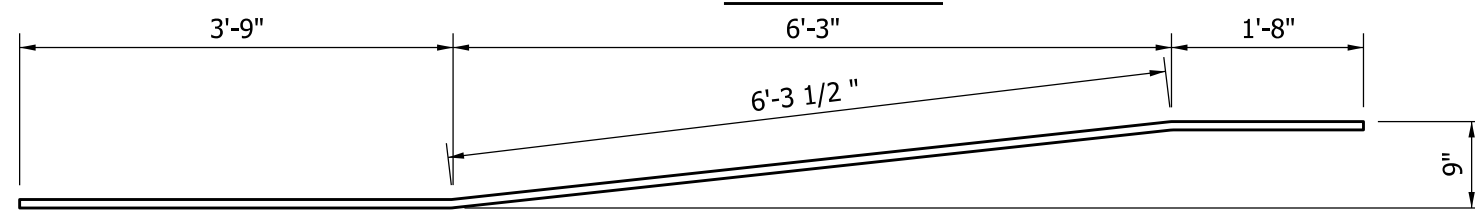
**SECTION C-C**



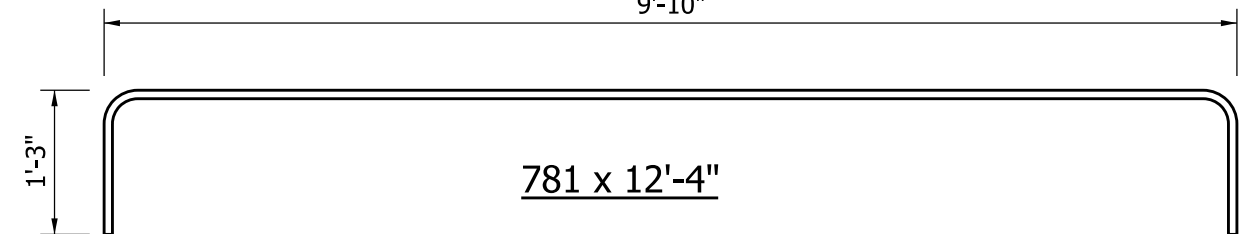
**SECTION B-B**



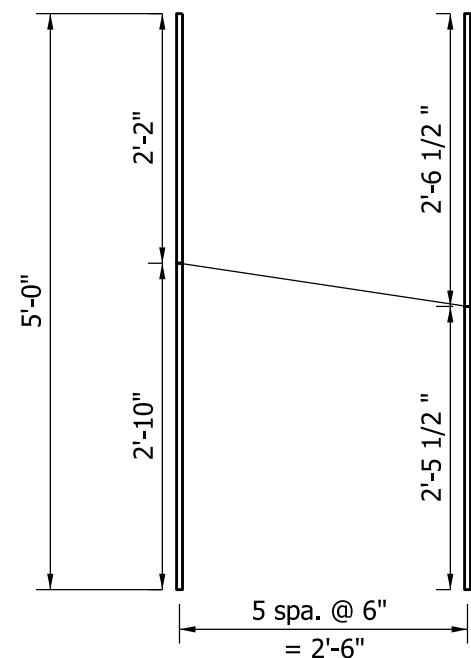
**SECTION A-A**



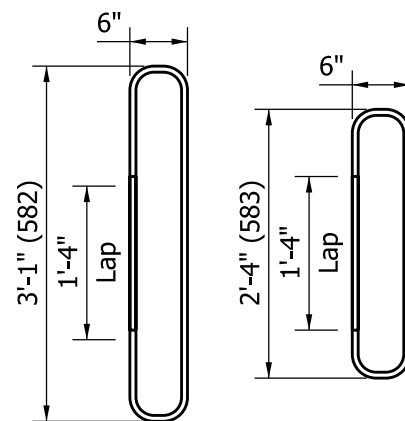
**782 x 11'-9"**



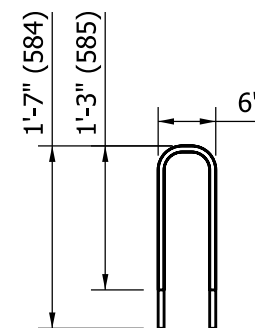
**781 x 12'-4"**



**6 - #5 x 5'-0"**  
**CUTTING DIAGRAM**



**581 x 8'-6"**  
**582 x 7'-0"**



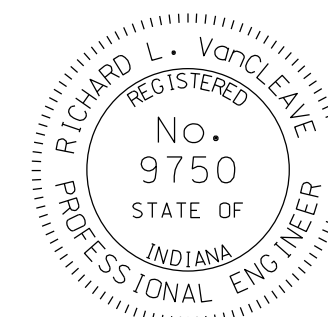
**583 x 3'-8"**  
**584 x 3'-0"**

INDIANA DEPARTMENT OF TRANSPORTATION

CONCRETE BRIDGE RAILING  
TRANSITION, TTX

SEPTEMBER 2009

STANDARD DRAWING NO. E 706-TTXX-02



DESIGN STANDARDS ENGINEER

*/s/ Richard L. VanCleave* 09/01/09  
DESIGN STANDARDS ENGINEER DATE

*/s/ Mark A. Miller* 09/01/09  
CHIEF HIGHWAY ENGINEER DATE