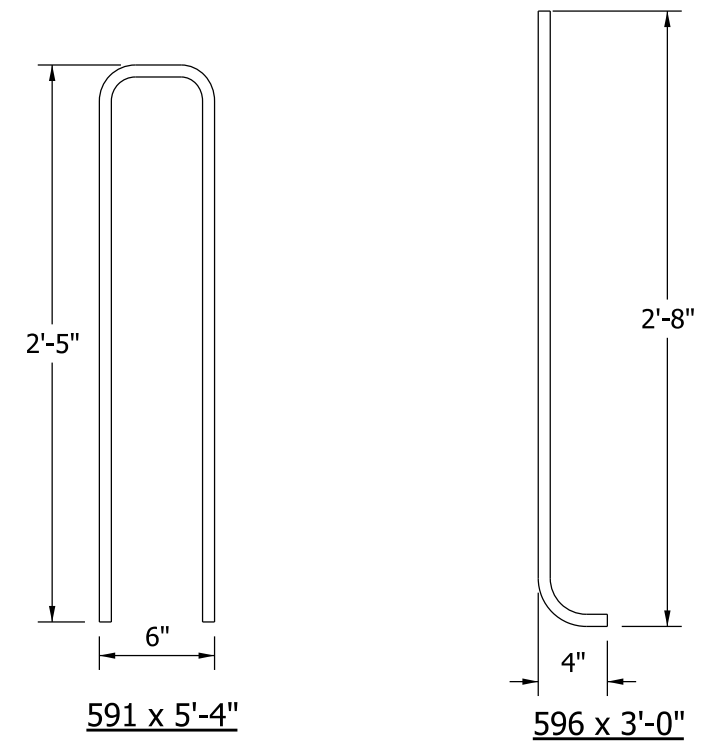


Notes:

1. See Standard Drawing E 706-TTBP-09 for general notes.



INDIANA DEPARTMENT OF TRANSPORTATION	
CONCRETE BRIDGE RAILING TRANSITION, TPS-1	
SEPTEMBER 2009	
STANDARD DRAWING NO. E 706-TTBP-06	
	/s/ <i>Richard L. VanCleave</i> 09/01/09 DESIGN STANDARDS ENGINEER DATE
DESIGN STANDARDS ENGINEER	/s/ <i>Mark A. Miller</i> 09/01/09 CHIEF HIGHWAY ENGINEER DATE