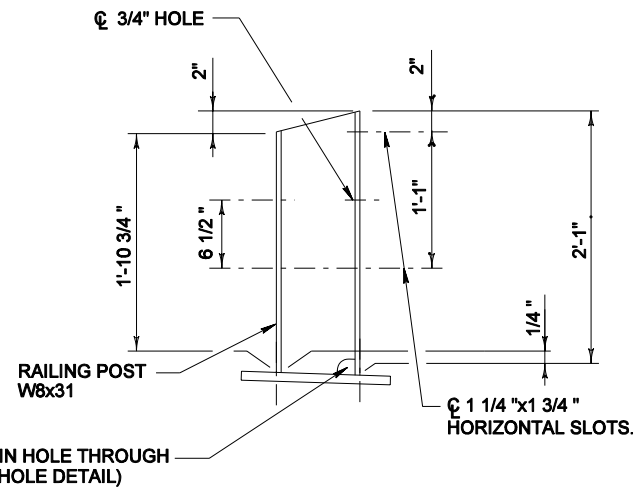


**RAILING SECTION**

**TYPICAL RAILING**

**NOTE:**

1. For Drain Hole Detail See Standard Drawing E 706-BRTF-09



**ELEVATION-POST**

INDIANA DEPARTMENT OF TRANSPORTATION	
<b>CONCRETE BRIDGE RAILING TYPE 1F-2 MISCELLANEOUS DETAILS SEPTEMBER 2005</b>	
STANDARD DRAWING NO. E 706-BRTF-03	
	/s/ Richard L. VanCleave 3-01-05 DESIGN STANDARDS ENGINEER DATE
	/s/ Richard K. Smutzer 3-01-05 CHIEF HIGHWAY ENGINEER DATE
DESIGN STANDARDS ENGINEER	