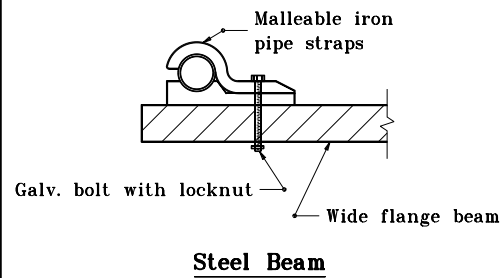


GENERAL NOTES

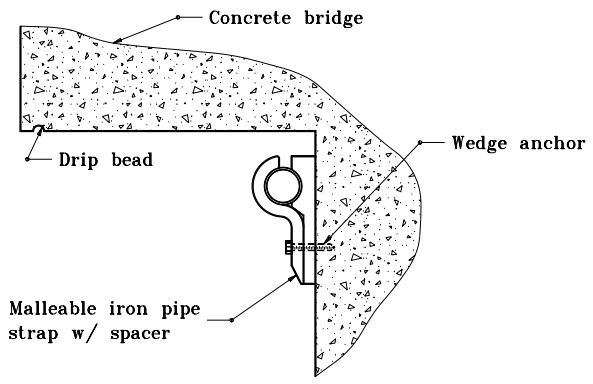
① If feasible, conduit to be installed on coping of bent; if not, install as shown on end of bridge not facing traffic.

50 mm conduit - Terminates 600 mm below grade without elbow & with grounding bushing ①

ELEVATION



DETAIL A



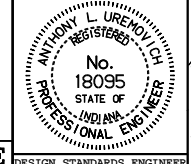
All dimensions are in mm unless otherwise specified.

INDIANA DEPARTMENT OF TRANSPORTATION

UNDERPASS LIGHTING DETAILS

MARCH 1995

STANDARD DRAWING NO. 807-LTUP-01



/s/ Anthony L. Uremovich 3-01-95
DESIGN STANDARDS ENGINEER DATE

/s/ Donald W. Lucas 3-01-95
CHIEF HIGHWAY ENGINEER DATE

Source Sheet: **MT6E**