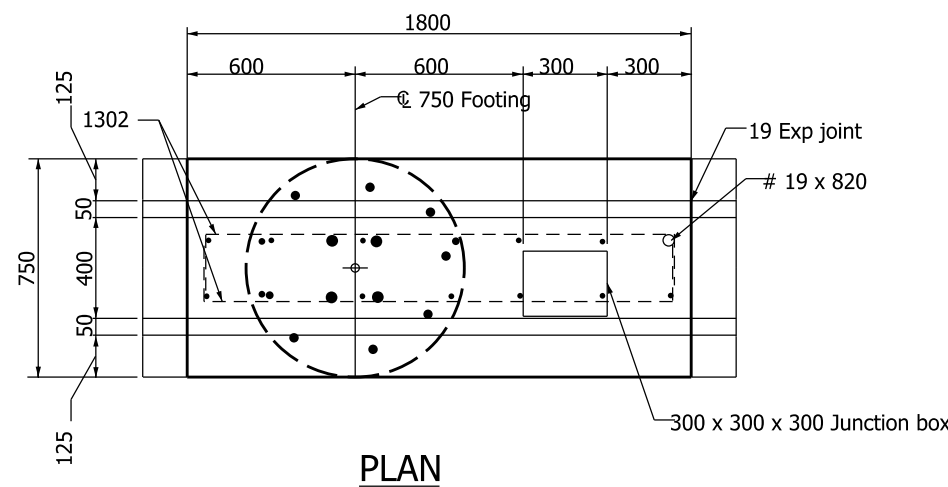
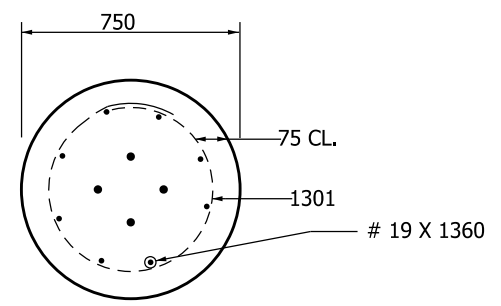
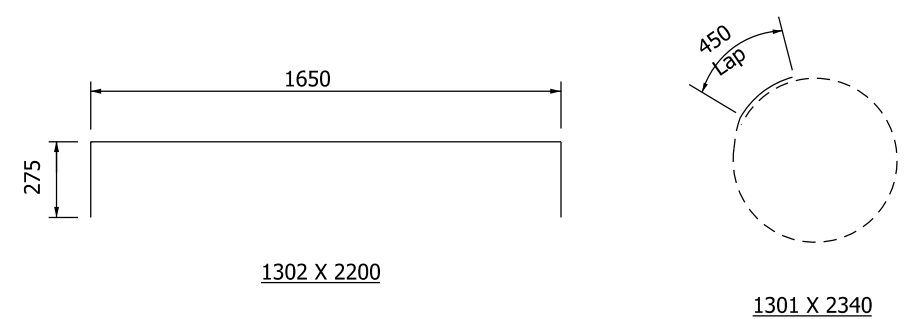


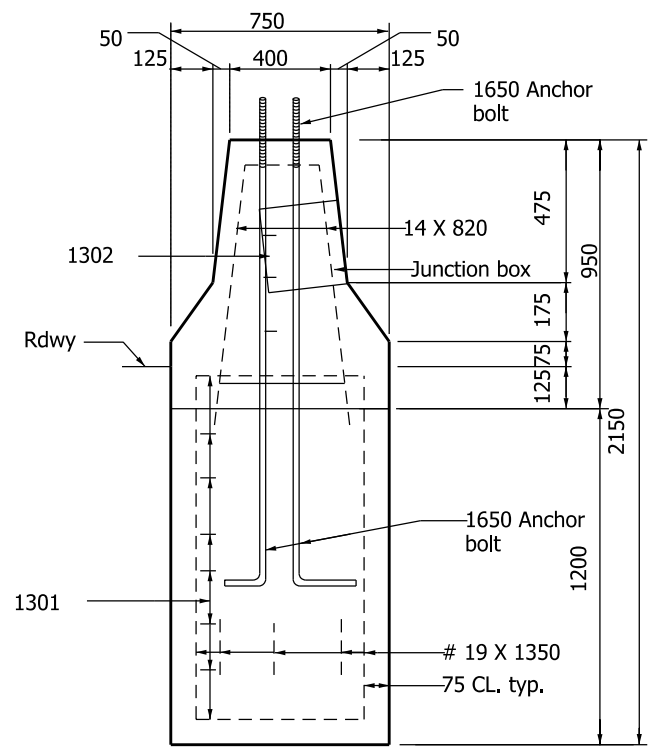
ELEVATION



PLAN



SECTION A-A

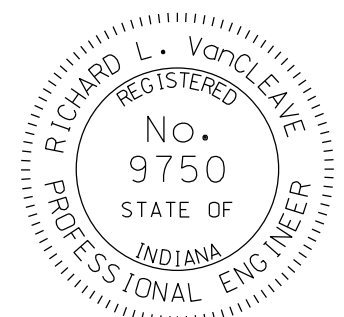


SECTION B-B

Notes:

1. The 50 galvanized steel conduit and junction box can be installed in the median shoulder. The junction box must be in front of the light foundation.
2. Field cut reinforcing bars to accommodate junction box

All Dimensions are in mm unless otherwise specified.

INDIANA DEPARTMENT OF TRANSPORTATION	
CONVENTIONAL LIGHT FOUNDATION FOR 840 CONCRETE MEDIAN WALL INSTALLATION	
SEPTEMBER 2009	
STANDARD DRAWING NO.	807-LTFD-09
	
<i>/s/ Richard L. VanCleave</i>	09/01/09
DESIGN STANDARDS ENGINEER	DATE
<i>/s/ Mark A. Miller</i>	09/01/09
CHIEF HIGHWAY ENGINEER	DATE
DESIGN STANDARDS ENGINEER	