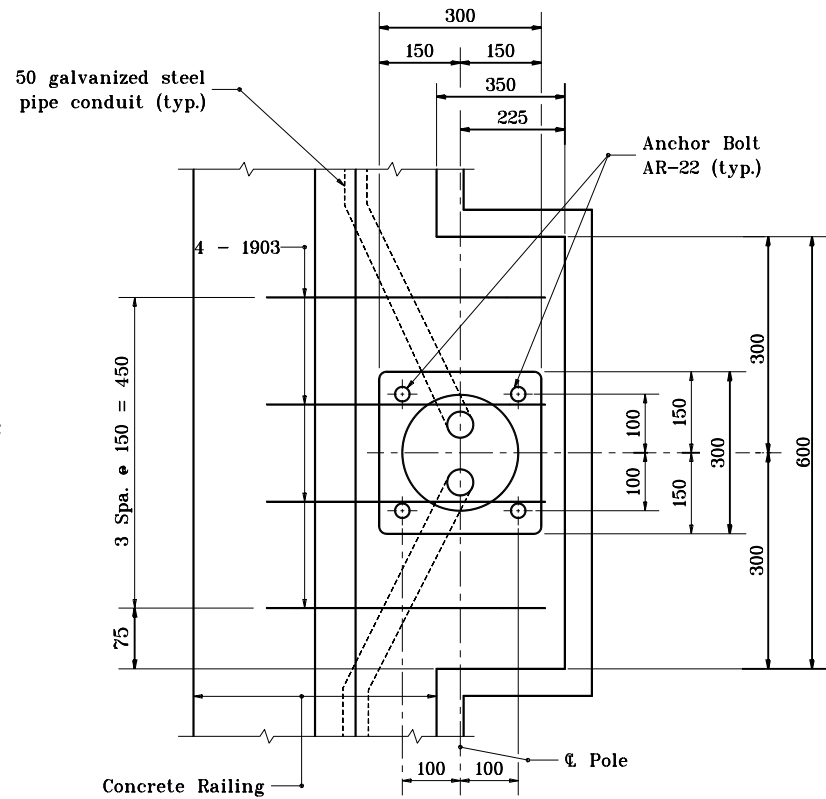
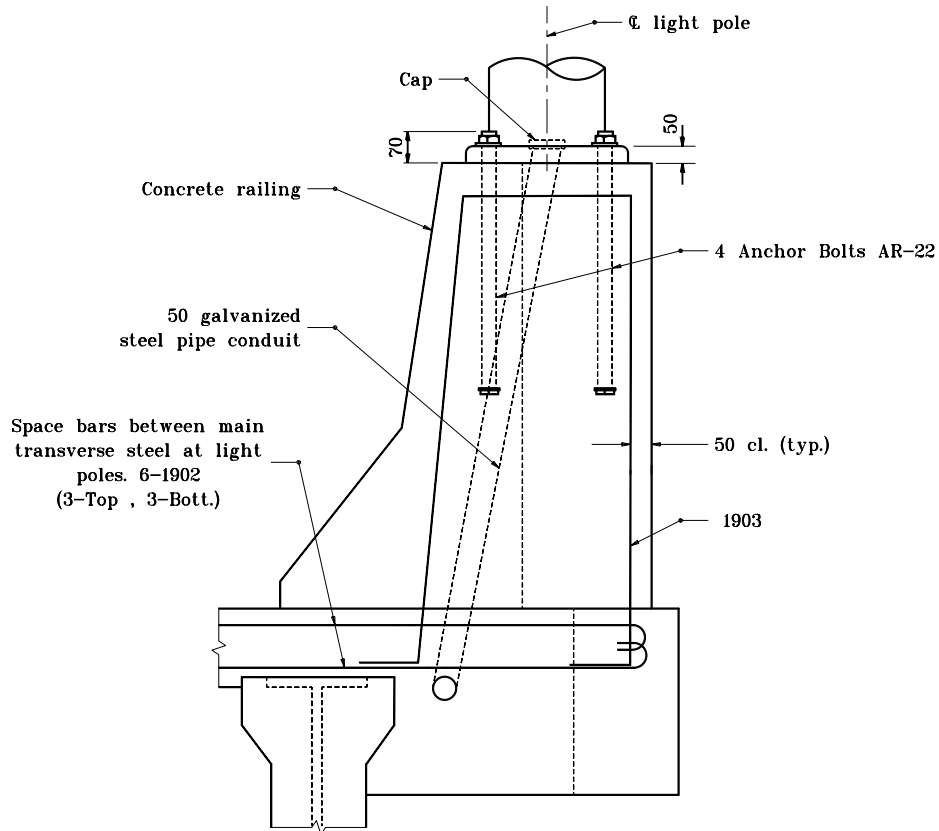


GENERAL NOTES

1. See Standard Drawing 807-BLIT-03 for bending diagrams.



The bolt circle diameter is approximately 290.

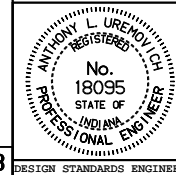
All dimensions are in mm unless otherwise specified.

INDIANA DEPARTMENT OF TRANSPORTATION

BRIDGE LIGHTING DETAILS

SEPTEMBER 1997

STANDARD DRAWING NO. 807-BLIT-01



/s/ Anthony L. Uremovich 9-01-97
 DESIGN STANDARDS ENGINEER DATE

/s/ Donald W. Lucas 9-01-97
 CHIEF HIGHWAY ENGINEER DATE

Source Sheet: R2-B

DESIGN STANDARDS ENGINEER