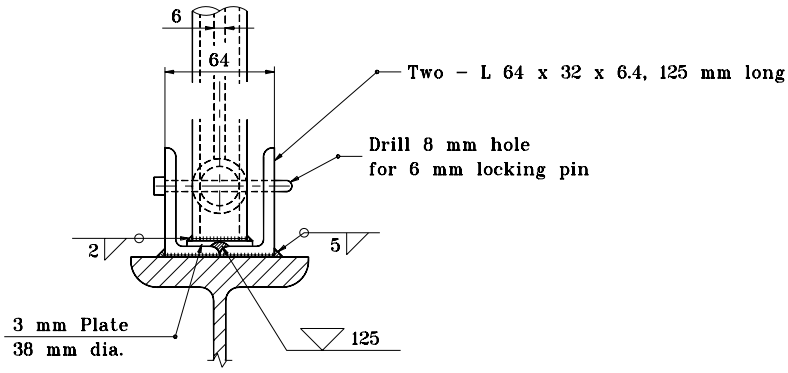


SIDE ELEVATION



FRONT ELEVATION

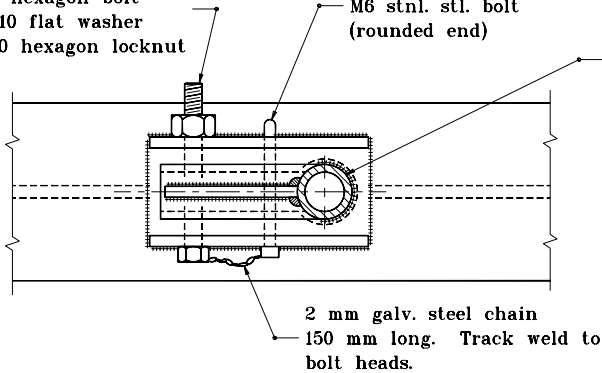
Two - L 64 x 32 x 6.4, 125 mm long
 Drill 8 mm hole for 6 mm locking pin
 3 mm Plate
 38 mm dia.
 Field drill 12 mm holes for M10 x 25 stnl. stl. hexagon bolts with M10 flat washer, M10 lock washer and M10 hexagon nut

Drill and ream for M10 stnl.stl. hexagon bolt with M10 flat washer and M10 hexagon locknut

Locking pin made from M6 stnl. stl. bolt (rounded end)

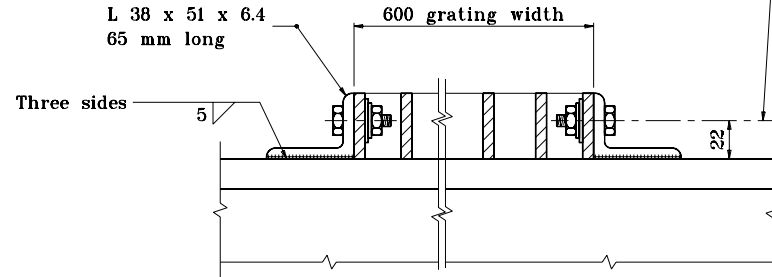
32 mm Sch. 40 aluminum pipe

2 mm galv. steel chain 150 mm long. Track weld to bolt heads.



PLAN

DETAILS OF HANDRAIL HINGE



GRATING TIE DOWN
 (Two req'd per walkway bracket)

All dimensions are in mm unless otherwise specified.

INDIANA DEPARTMENT OF TRANSPORTATION	
SIGN WALKWAY HANDRAIL DETAILS	
SEPTEMBER 2001	
STANDARD DRAWING NO. 802-SNWW-05	
	/s/ Anthony L. Uremovich 9-04-01 DESIGN STANDARDS ENGINEER DATE
	/s/ Firooz Zandi 9-04-01 CHIEF HIGHWAY ENGINEER DATE