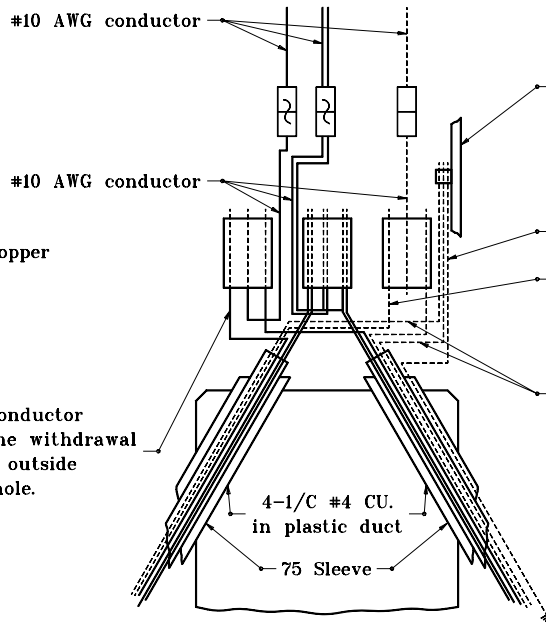


Grounding post
Detail A

Green equipment
grounding conductor

Allow sufficient conductor
slack to permit the withdrawal
of the connectors outside
of the pole handhole.



Grounding post Detail B

#6 AWG solid bare copper

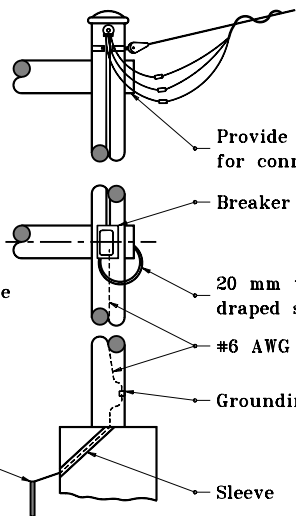
Neutral

Green equipment
grounding conductor

**OVERHEAD SIGN SERVICE DETAIL
(UNDERGROUND CONNECTIONS)**

GENERAL NOTES

1. Breaker panel wiring to be used with bridge bracket sign illumination, or when lighting overhead sign is not part of a roadway lighting system.
2. Oxidation inhibitor shall be liberally applied to all surfaces that mate with a dissimilar material.



Provide min. of 1.5 m of each cable
for connection by utility

Breaker panel enclosure

Drill 10 max. hole
with a grommet

20 mm watertight flexible conduit
draped slightly for expansion

#6 AWG solid bare copper

Grounding post

Ground rod
10 x 2440

Sleeve

**OVERHEAD SIGN SERVICE DETAIL
(AERIAL CONNECTION)**

LEGEND

Self insulated splicer
(Insulating Link)

Un-fused connector

Fused connector

Compression connector

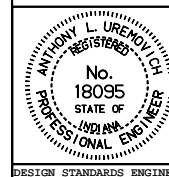
All dimensions are in mm unless otherwise specified.

INDIANA DEPARTMENT OF TRANSPORTATION

SIGN WIRING DETAILS

SEPTEMBER 2001

STANDARD DRAWING NO. 802-SNWR-01



/s/ Anthony L. Uremovich 9-04-01
DESIGN STANDARDS ENGINEER DATE

/s/ Firooz Zandi 9-04-01
CHIEF HIGHWAY ENGINEER DATE

DESIGN STANDARDS ENGINEER