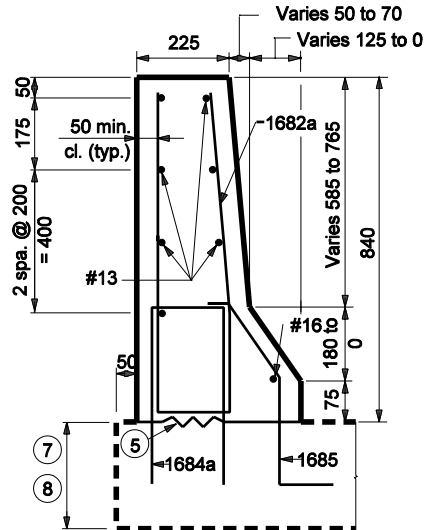
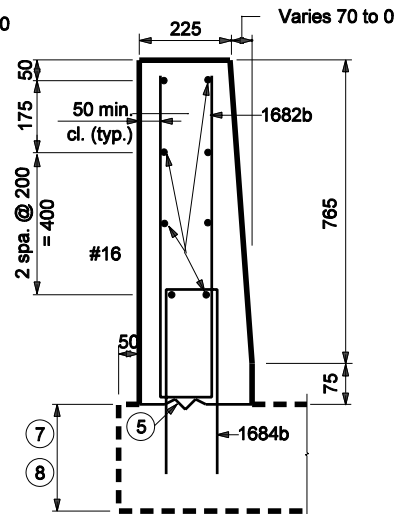


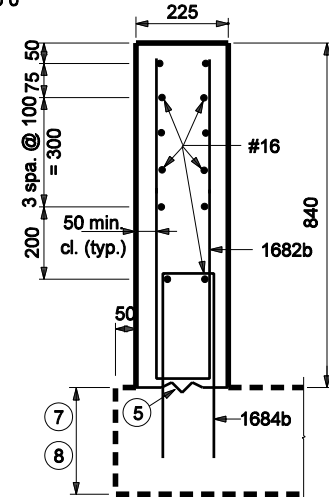
SECTION A-A



SECTION B-B



SECTION C-C



SECTION D-D

NOTES :

1. See Standard Drawing 706-TASE-05 for General Notes.
2. See Standard Drawing 706-TTBC-01 for Plan and Elevation and 706-TTBC-03 for reinforcement and bill of materials.

**840 COMMON HEIGHT THRIE BEAM
CONCRETE BRIDGE RAILING TRANSITION**

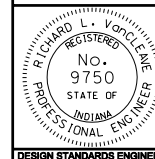
All Dimension are in mm unless otherwise specified

INDIANA DEPARTMENT OF TRANSPORTATION

**CONCRETE BRIDGE RAILING
TRANSITION TYPE TBC**

SEPTEMBER 2006

STANDARD DRAWING NO. 706-TTBC-02



/s/ Richard L. VanCleave 9-01-06
DESIGN STANDARDS ENGINEER DATE

/s/ Richard K. Smutzer 9-01-06
CHIEF HIGHWAY ENGINEER DATE

DESIGN STANDARDS ENGINEER