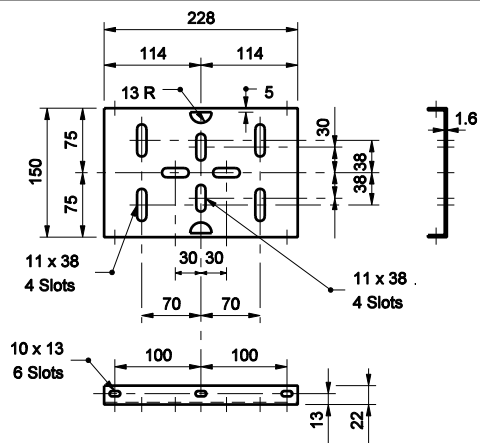
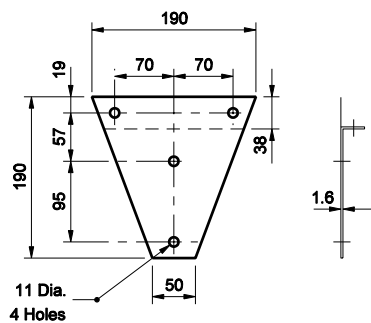


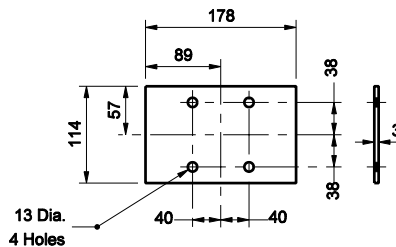
SHELF



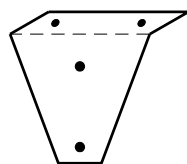
PLATFORM



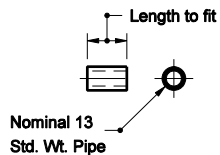
BRACKET



ANTI-TWIST PLATE



**FINISHED BRACKET
ISOMETRIC**



Nominal 13
Std. Wt. Pipe

SPACER

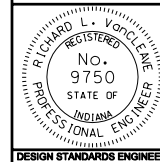
All dimensions are in mm unless otherwise specified

INDIANA DEPARTMENT OF TRANSPORTATION

MAILBOX SUPPORT HARDWARE

MARCH 2005

STANDARD DRAWING NO. 611-MBAS-03



/s/ Richard L. VanCleave 3-01-05
DESIGN STANDARDS ENGINEER DATE

/s/ Richard K. Smutzer 3-01-05
CHIEF HIGHWAY ENGINEER DATE

DESIGN STANDARDS ENGINEER