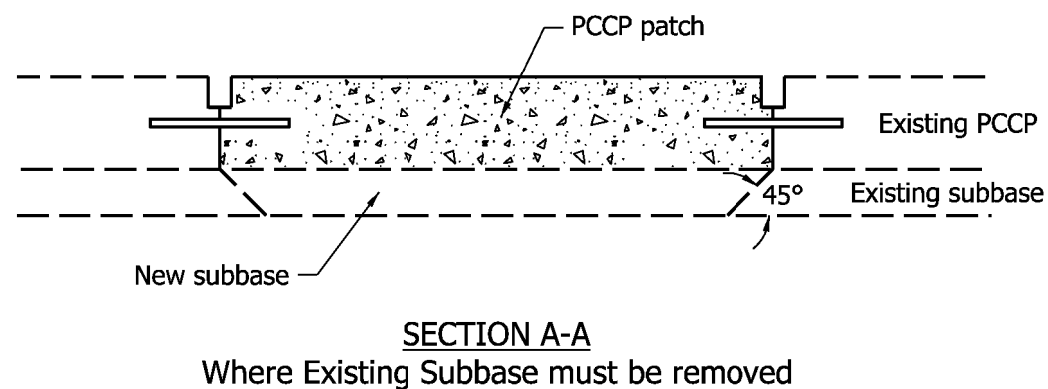
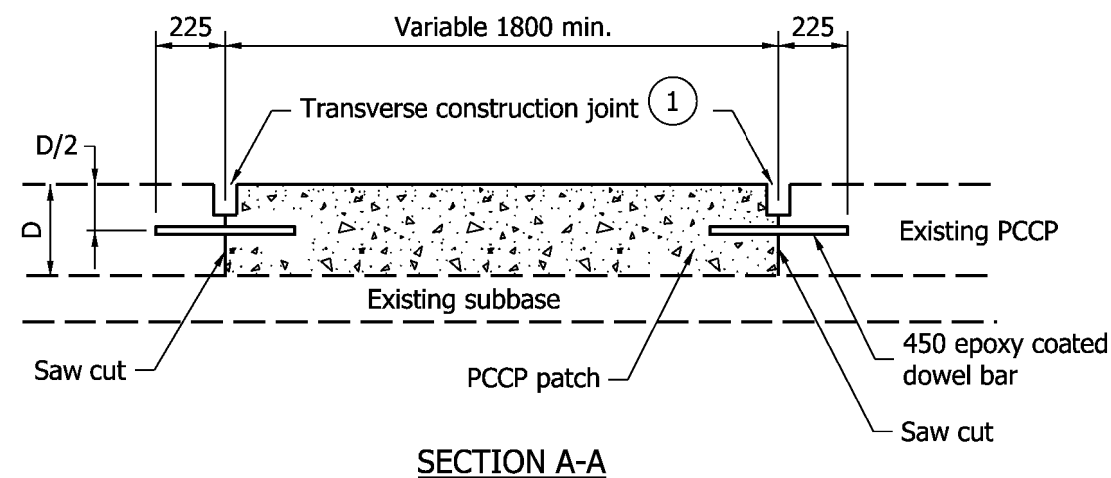
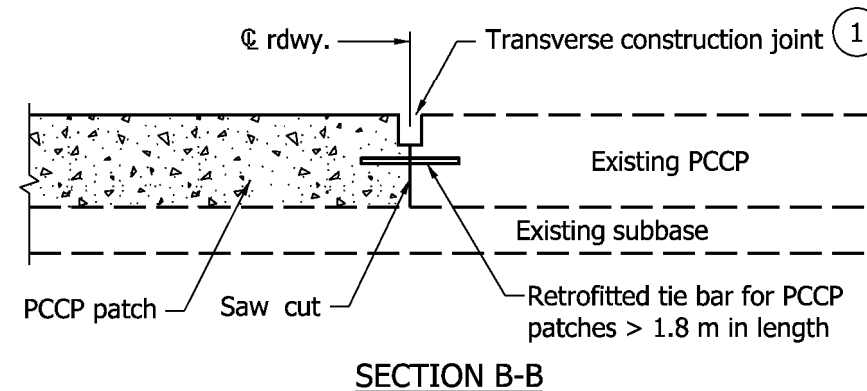


DOWEL BAR SIZES	
Pavement Thickness, D	Minimum Dowel Bar Diameter
Less than 225	25
225 through 300	32
Greater than 300	38



**GENERAL NOTES**

- ① See Standard Drawing 503-CCPJ-06 for joint seal details.
2. Saw cuts and joint seal shall be omitted if PCCP is to be overlaid.
3. Minimum of 600 horizontal distance between retrofitted tie bar and the nearest D-1 contraction joint within the patch or the end of the patch.
4. Retrofitted tie bars are not to be placed less than 600 from any transverse joint or random crack in an adjacent PCCP lane or PCCP shoulder.
5. See Standard Drawing 503-CCPJ-07 for retrofit tie bar sizing and spacing.

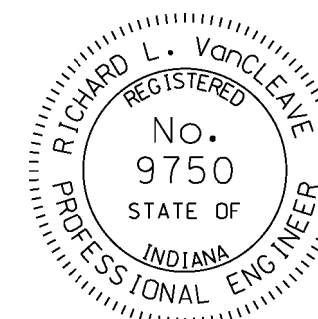
All Dimensions are in mm unless otherwise specified.

INDIANA DEPARTMENT OF TRANSPORTATION

CONCRETE PAVEMENT  
PATCH DETAILS

SEPTEMBER 2009

STANDARD DRAWING NO. 506-CCPP-01



DESIGN STANDARDS ENGINEER

/s/ Richard L. VanCleave 09/01/09  
DESIGN STANDARDS ENGINEER DATE

/s/ Mark A. Miller 09/01/09  
CHIEF HIGHWAY ENGINEER DATE