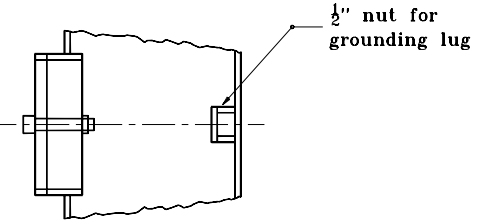
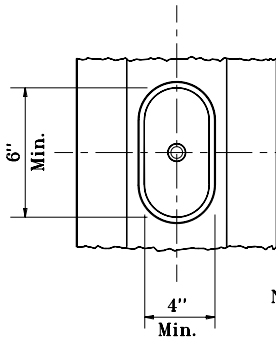


NOTE: Slot inside face of arm for galvanized drainage (steel structures only)

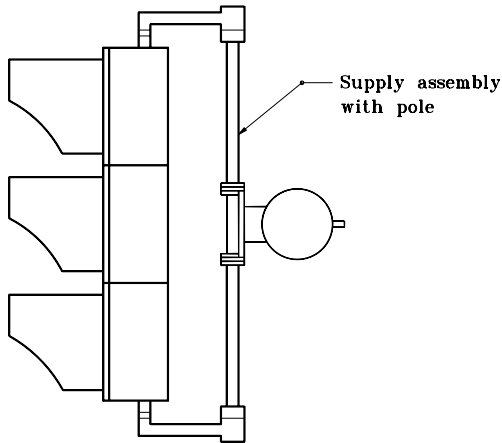
(Connection clamp)

DETAIL A



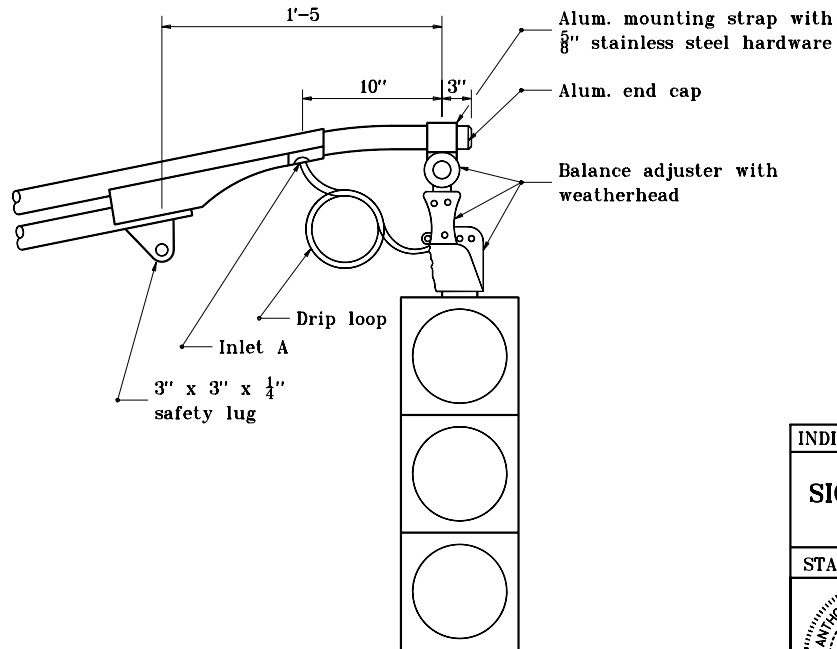
NOTE: For combination signal luminaire pole, handhole shall be 8" min. x 6" min. Inside dimensions
(Handhole and grounding lug)

DETAIL B



(Signal Head Mounting Assembly - Typ.)

DETAIL C



DETAIL D

INDIANA DEPARTMENT OF TRANSPORTATION	
SIGNAL CANTILEVER DETAILS	
MAY 1998	
STANDARD DRAWING NO. E 805-SGMA-04	
DETAILS PLACED IN THIS FORMAT 11-15-99	
	/s/ Anthony L. Uremovich 11-15-99 DESIGN STANDARDS ENGINEER DATE
	/s/ Firooz Zandi 11-15-99 CHIEF HIGHWAY ENGINEER DATE
	ORIGINALLY APPROVED 5-01-98