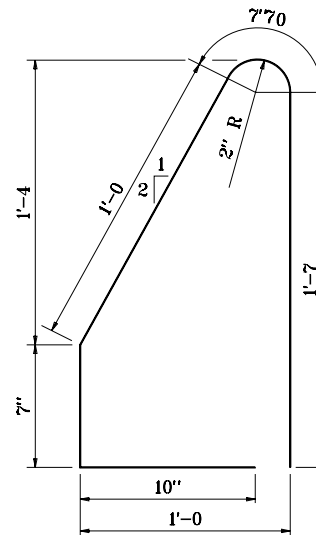
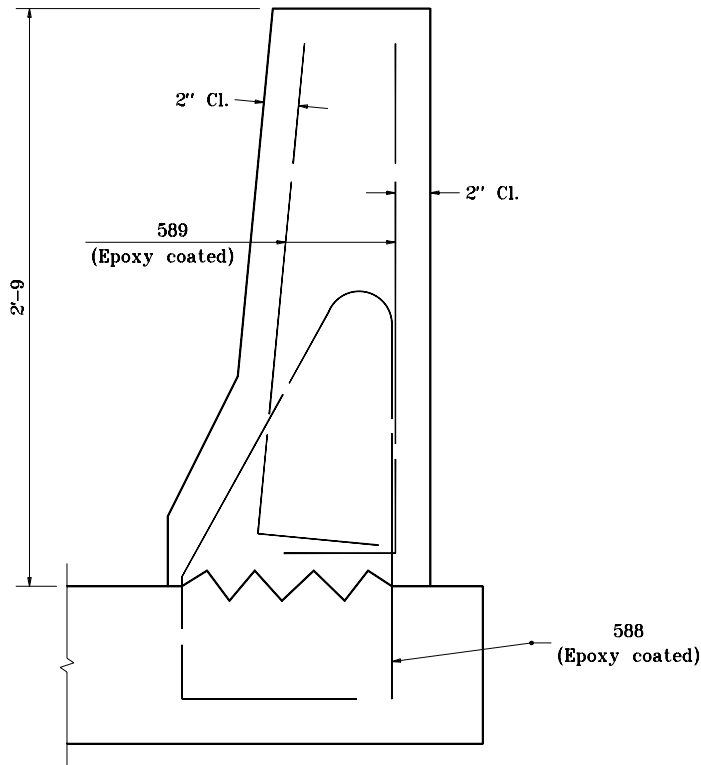
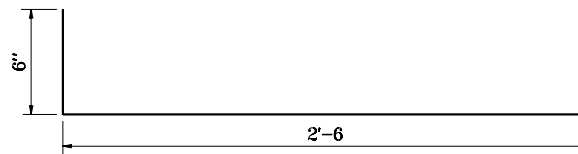


GENERAL NOTES

1. The optional vertical railing reinforcement shown may be used for bridge railing in lieu of that shown on the plans. Longitudinal reinforcing shall be as shown on the plans.
2. Vertical reinforcing lengths shown are for a 2'-9" railing height. If a higher rail is used, these lengths shall be increased accordingly.



588 x 5'1



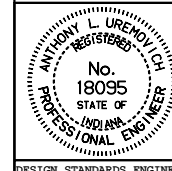
589 x 3'-0

INDIANA DEPARTMENT OF TRANSPORTATION

OPTIONAL RAILING VERTICAL REINFORCMENT SPLICE

SEPTEMBER 1997

STANDARD DRAWING NO. **E 724-BJTS-06**



DETAILS PLACED IN THIS FORMAT 11-15-99

/s/ Anthony L. Uremovich 11-15-99
DESIGN STANDARDS ENGINEER DATE

/s/ Firooz Zandi 11-15-99
CHIEF HIGHWAY ENGINEER DATE

DESIGN STANDARDS ENGINEER

ORIGINALLY APPROVED 9-01-97