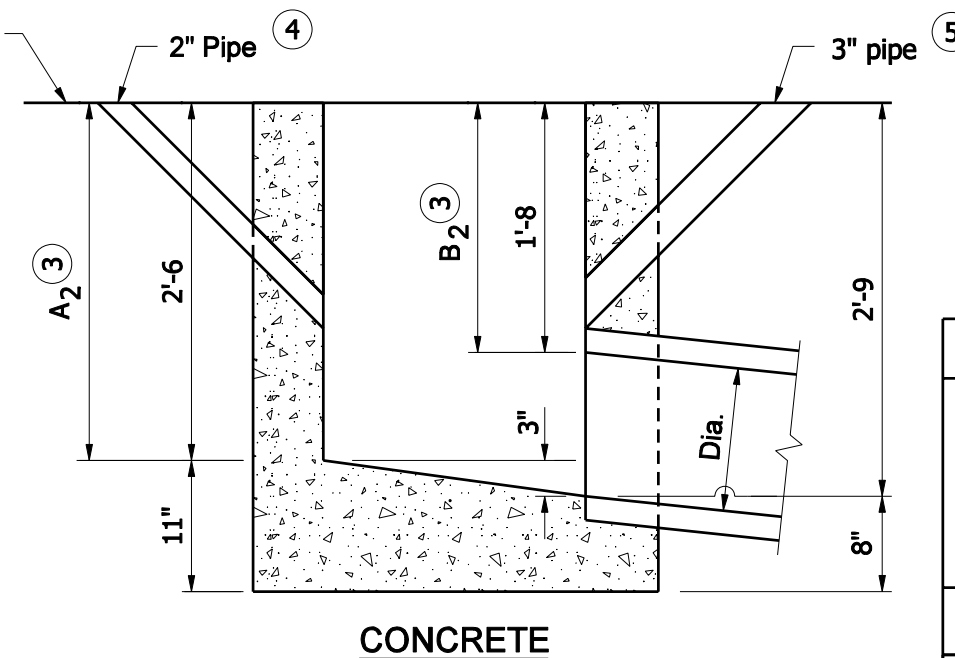
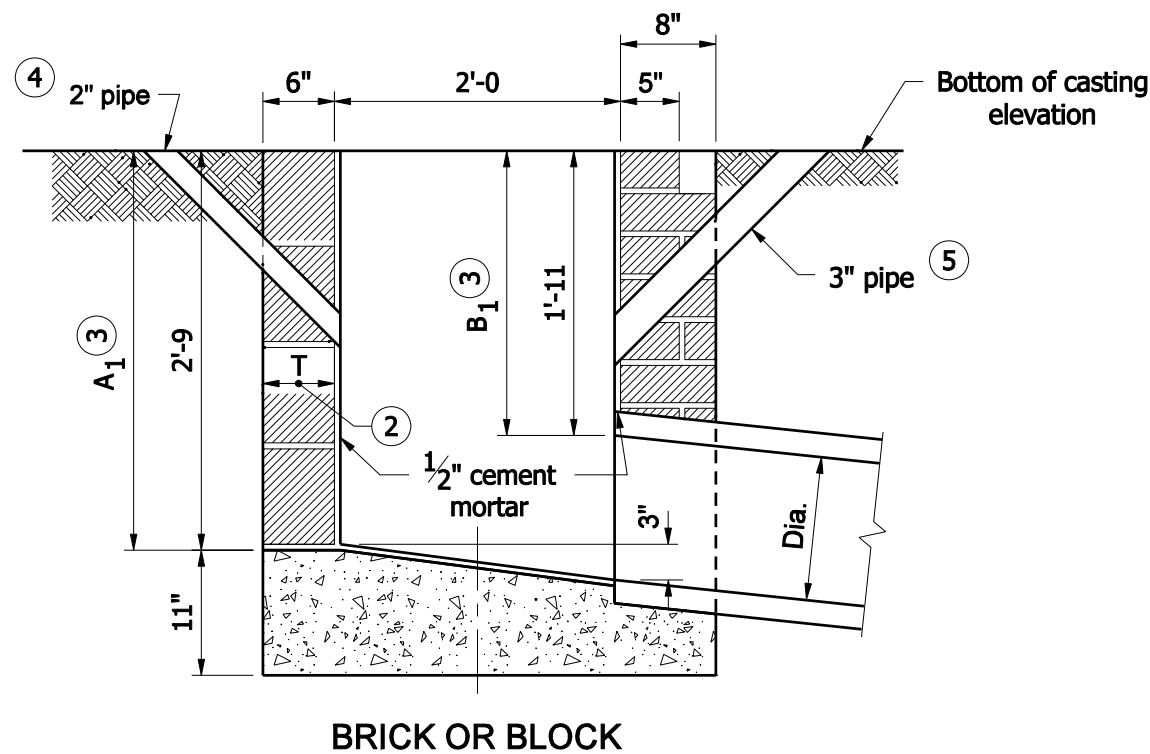
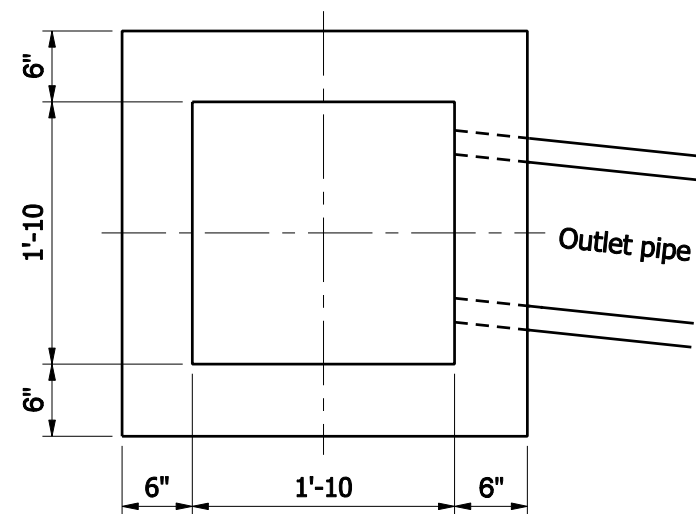
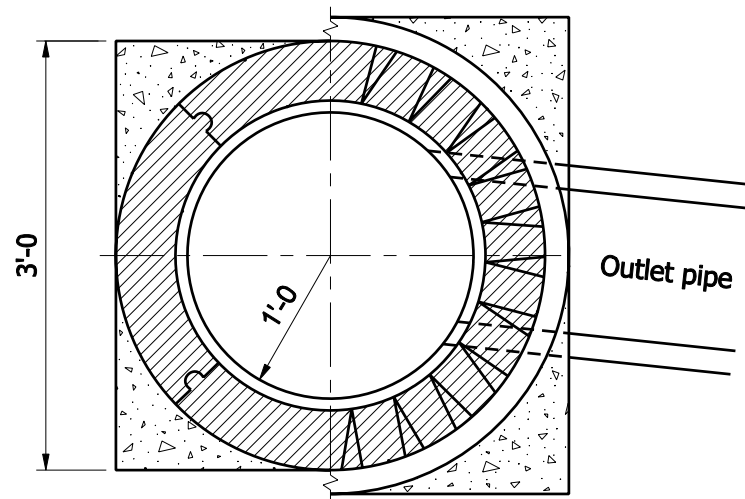


GENERAL NOTES

1. Brick, block, or concrete may be used.
2. T = 8" for brick structure
T = 6" for segmental block structure
- 3 In special cases or where inlet pipe is required, A₁, B₁, A₂, and B₂ shall be increased or decreased 1'-0", as directed.
- 4 2" dia. pipe drain from bottom of curb to inlet. Aggregate to be placed around inlet end of pipe.
- 5 3" dia. pipe to be kept open for drainage of subgrade or base until surface is placed.

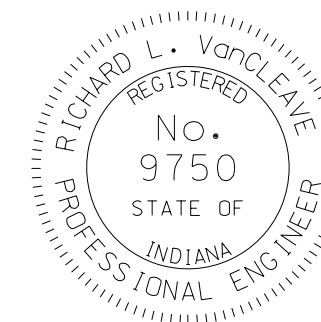


INDIANA DEPARTMENT OF TRANSPORTATION

INLET TYPE A

SEPTEMBER 2008

STANDARD DRAWING NO. E 720- INST-01



DESIGN STANDARDS ENGINEER

/s/ Richard L. VanCleave 09/02/08
DESIGN STANDARDS ENGINEER DATE

/s/ Mark A. Miller 09/02/08
CHIEF HIGHWAY ENGINEER DATE