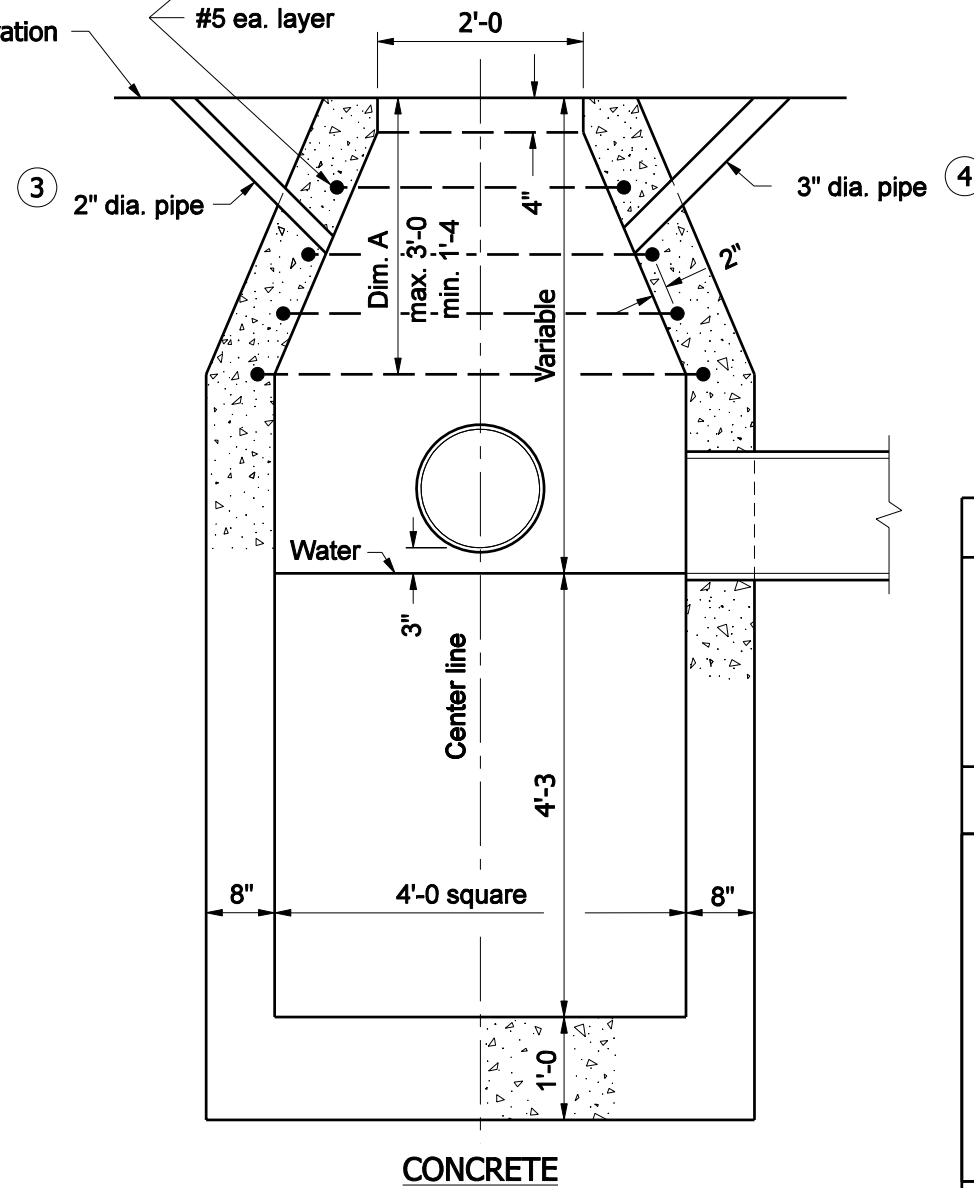
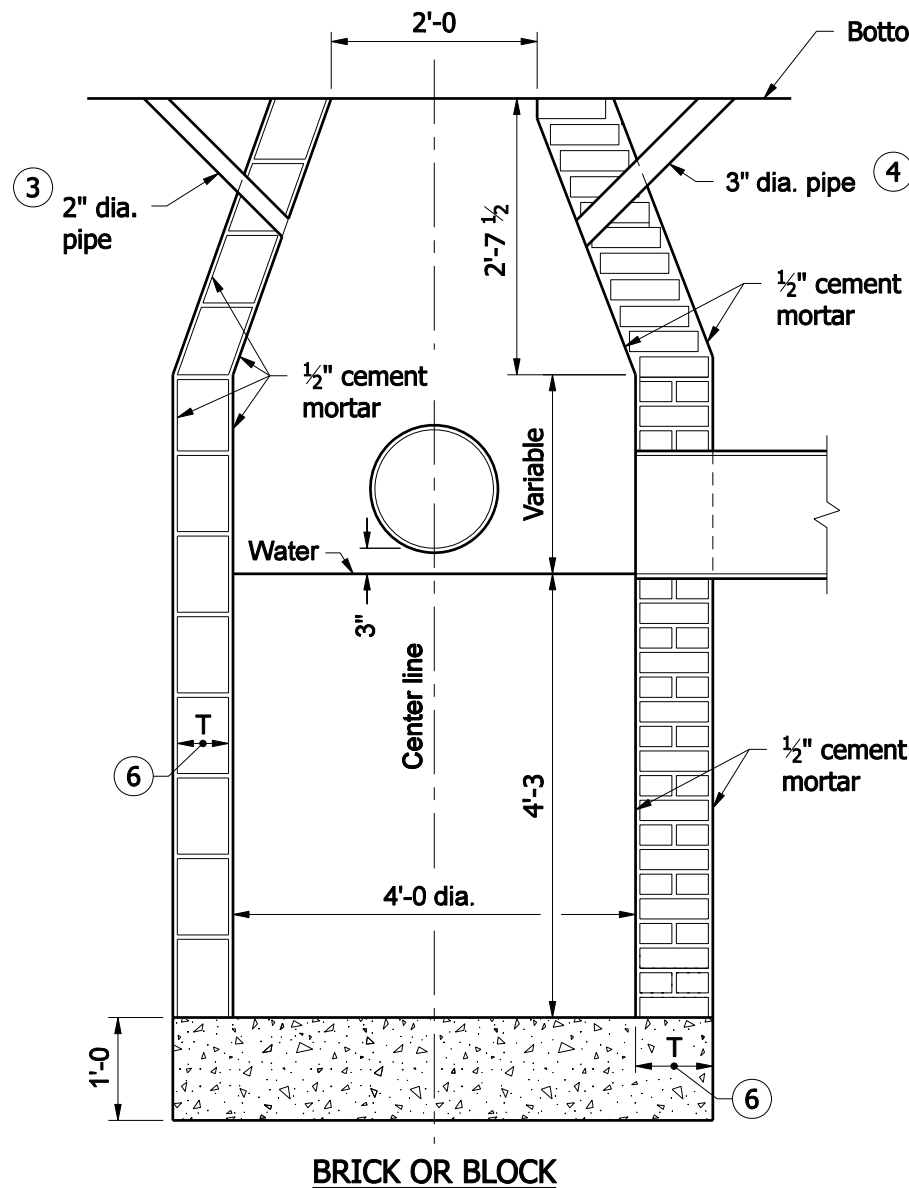
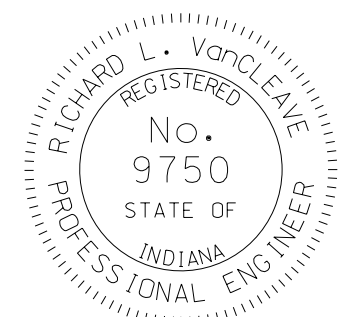


GENERAL NOTES

1. Brick, block, or concrete may be used.
2. Precast catch basin type W may be substituted for catch basin type A.
- 3 2" dia. pipe drain from bottom of curb to inlet. Aggregate to be placed around inlet end of pipe.
- 4 3" dia. pipe to be kept open for drainage of subgrade or base until surface is placed.
5. Reinforcement required if Dim. A < 2'-6". Reinforcement not required if Dim. A ≥ 2'-6".
- 6 T = 8" for brick structure
T = 6" for segmental block structure



INDIANA DEPARTMENT OF TRANSPORTATION
**CATCH BASIN
 TYPE A**
 SEPTEMBER 2008
 STANDARD DRAWING NO. E 720- CBST-01



<i>/s/ Richard L. VanCleave</i>	09/02/08
DESIGN STANDARDS ENGINEER	DATE
<i>/s/ Mark A. Miller</i>	09/02/08
CHIEF HIGHWAY ENGINEER	DATE

DESIGN STANDARDS ENGINEER