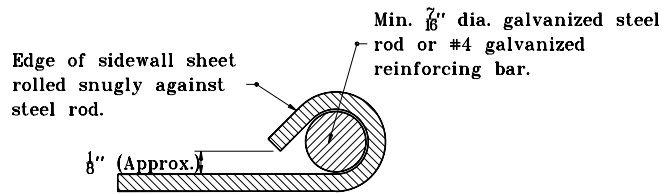
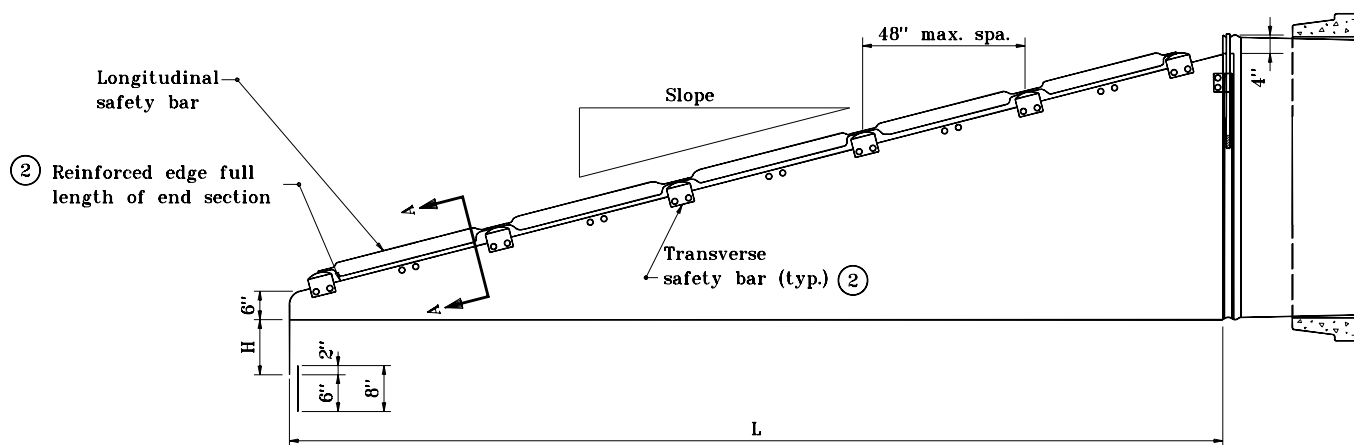


GENERAL NOTES

- ① Toe plate extension is to be the same thickness as the end section. Dimensions shall be overall width less 6", by 8" high.
- ② Transverse safety bars shall be Schedule 40 galvanized steel pipe. Pipe to be galvanized after forming. Number of bars req'd. will vary depending on the length of the end section.
3. Slotted holes for safety bar attachment shall be provided for all end sections.
4. See Standard Drawing E 715-SMES-12 for variable dimensions.
- ⑤ See Standard Drawing E 715-SMES-07 for warrant of longitudinal safety bar.



SECTION A-A



SIDE ELEVATION FOR CROSS STRUCTURE END SECTION

INDIANA DEPARTMENT OF TRANSPORTATION
SAFETY METAL CULVERT END SECTIONS FOR SMOOTH PIPE
 JANUARY 1998

STANDARD DRAWING NO. **E 715-SMES-11**

	DETAILS PLACED IN THIS FORMAT	7-27-99
	/s/ Anthony L. Uremovich	7-27-99
	DESIGN STANDARDS ENGINEER	DATE
	/s/ Firooz Zandi	7-27-99
	CHIEF HIGHWAY ENGINEER	DATE
DESIGN STANDARDS ENGINEER	ORIGINALLY APPROVED	1-02-98