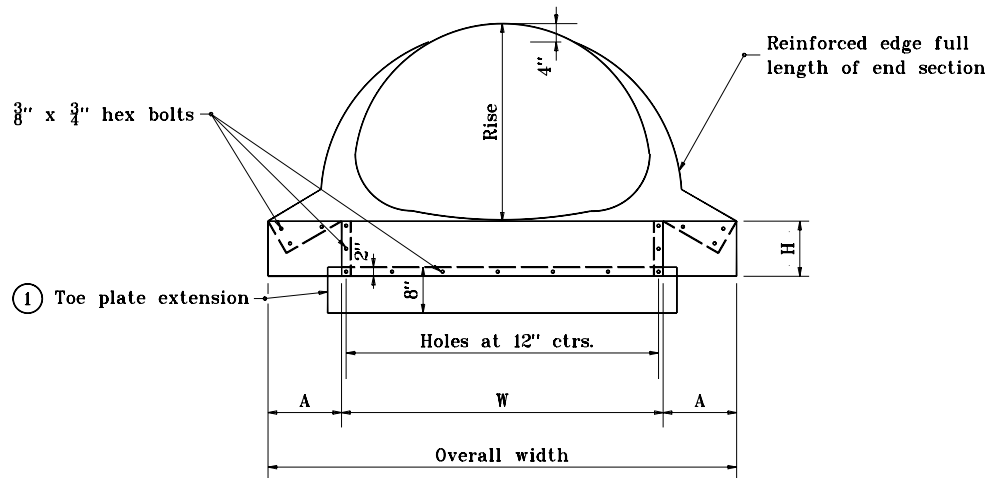
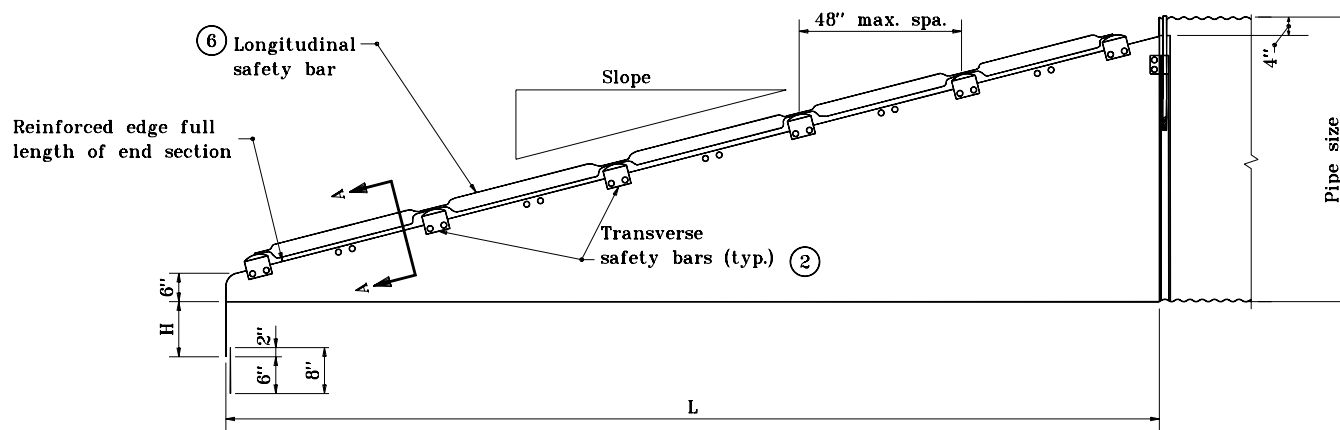


GENERAL NOTES

- ① Toe plate extension shall be the same thickness as the end section. Dimension shall be overall width less 6'.
- ② Transverse safety bars shall be Schedule 40 galvanized steel pipe. Pipe shall be galvanized after forming. Number of bars required will vary depending on the length of the end sections.
3. Slotted holes for safety bar attachment shall be provided for all end sections.
4. See Standard Drawing E 715-SMES-04 for Section A-A.
5. See Standard Drawing E 715-SMES-06 for variable dimensions.
- ⑥ See Standard Drawing E 715-SMES-01 for warrant of longitudinal safety bar.



FRONT VIEW



SIDE ELEVATION FOR CROSS STRUCTURE END SECTION

INDIANA DEPARTMENT OF TRANSPORTATION	
SAFETY METAL CULVERT END SECTIONS FOR CORRUGATED PIPE	
JANUARY 1998	
STANDARD DRAWING NO. E 715-SMES-05	
DETAILS PLACED IN THIS FORMAT 7-27-99	
	/s/ Anthony L. Uremovich 7-27-99 DESIGN STANDARDS ENGINEER DATE
	/s/ Firooz Zandi 7-27-99 CHIEF HIGHWAY ENGINEER DATE
DESIGN STANDARDS ENGINEER	ORIGINALLY APPROVED 1-02-96