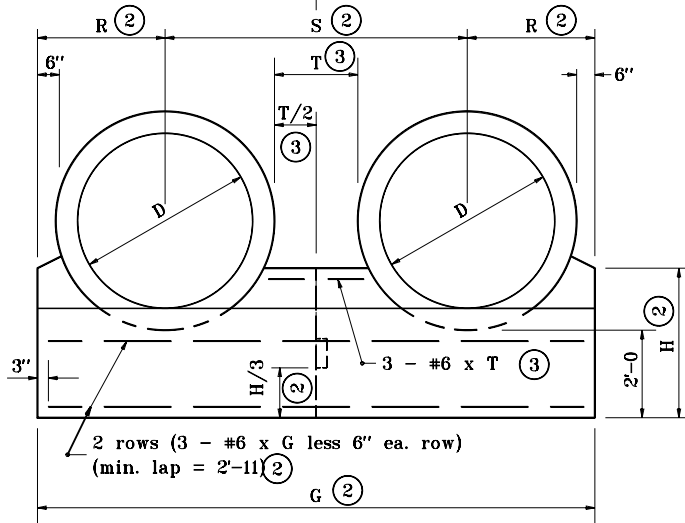
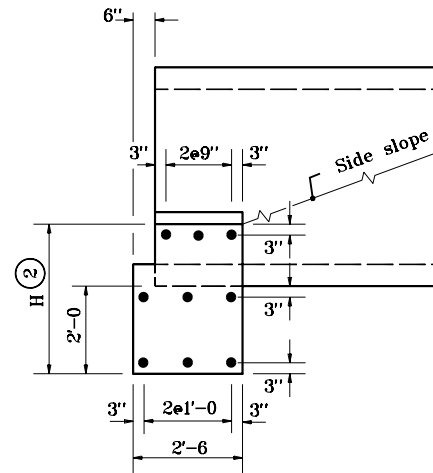


④ 3' x 8' x H/3 keyway constr. jt.

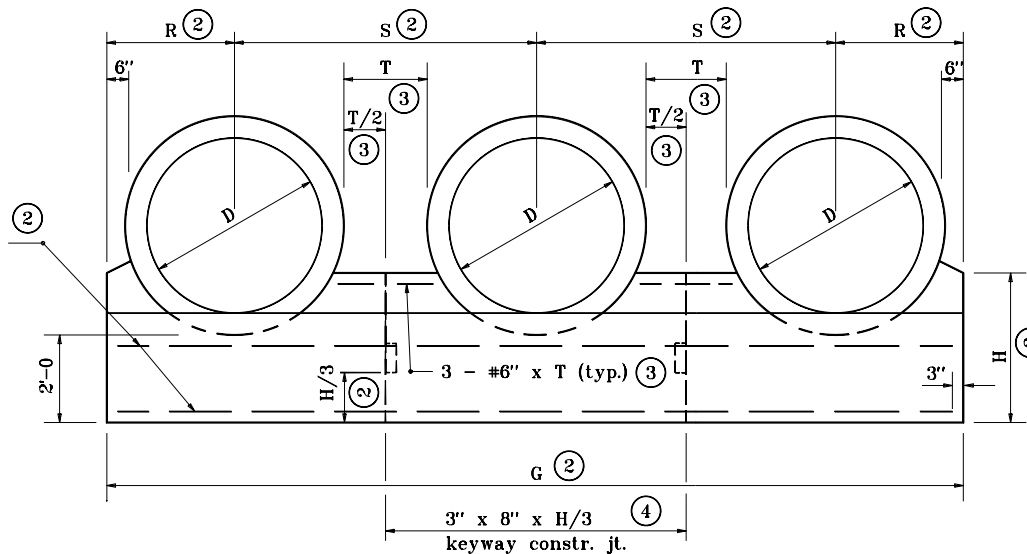


**ANCHOR FOR DOUBLE PIPE INSTALLATION
FRONT ELEVATION**



**SECTION THROUGH
ANCHOR**

2 rows (3 - #6 x G less 6" ea. row)
(min. lap = 2'-11")



**ANCHOR FOR TRIPLE PIPE INSTALLATION
FRONT ELEVATION**

GENERAL NOTES

1. Circular reinforced concrete pipes shown. For details of other pipe alternates, see partial elevations on Standard Drawing E 715-MPCA-02.
- ② For dimension enter chart on Standard Drawing E 715-ANCH-01 with known dimension D.
- ③ T = Clear distance between pipes.
For D less than 48", T = 2'-0."
For D of 48" to 96", T = 1/2 D
For D greater than 96", T = 4'-0."
- ④ No joint required if G is less than or equal to 30'. One joint required if G is greater than 30' but less than or equal to 42'. Two joints required if G is greater than 42'.

INDIANA DEPARTMENT OF TRANSPORTATION	
MULTIPLE PIPE CONCRETE ANCHORS	
JANUARY 1998	
STANDARD DRAWING NO. E 715-MPCA-01	
DETAILS PLACED IN THIS FORMAT 7-27-99	
	/s/ Anthony L. Uremovich 7-27-99 DESIGN STANDARDS ENGINEER DATE
	/s/ Firooz Zandi 7-27-99 CHIEF HIGHWAY ENGINEER DATE
DESIGN STANDARDS ENGINEER	ORIGINALLY APPROVED 1-02-98