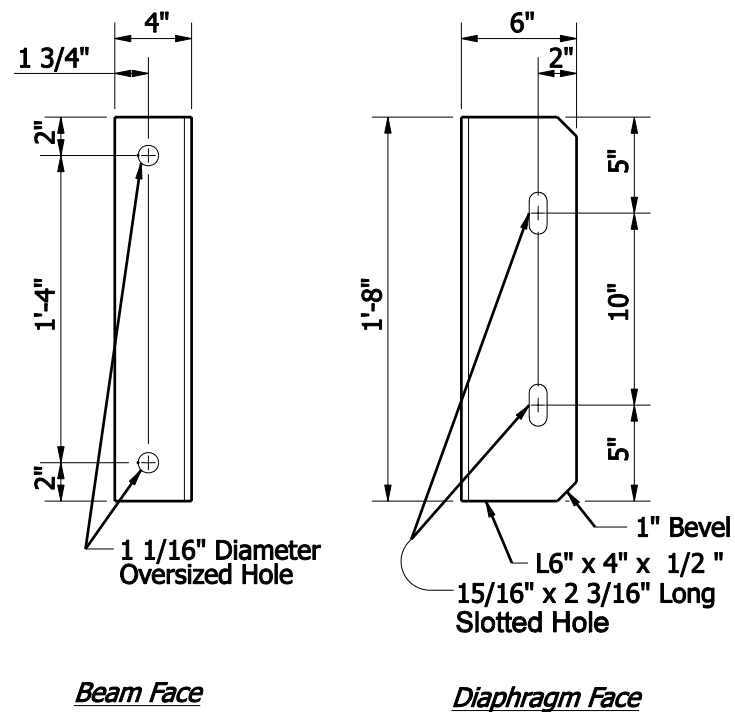
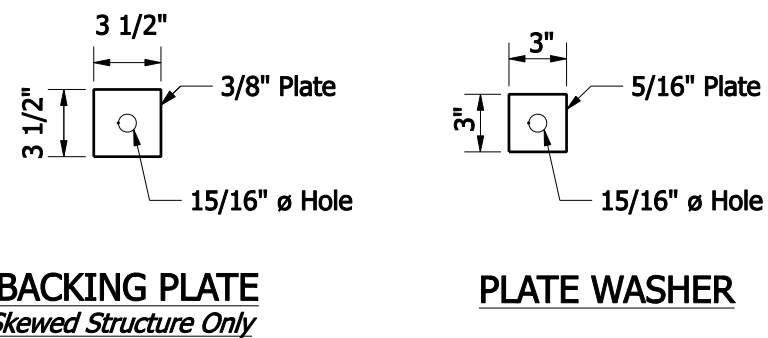
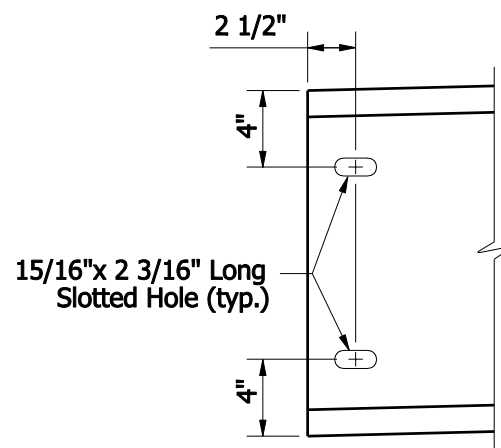


CONNECTION DETAILS



CLIP ANGLE



INDIANA DEPARTMENT OF TRANSPORTATION	
STEEL DIAPHRAGMS INDIANA BULB-TEES, 54-IN. DEPTH	
SEPTEMBER 2007	
STANDARD DRAWING NO. E 707-SDPC-04	
	<i>/s/ Richard L. VanCleave</i> 09/04/07 DESIGN STANDARDS ENGINEER DATE
	<i>/s/ Mark A. Miller</i> 09/04/07 CHIEF HIGHWAY ENGINEER DATE
DESIGN STANDARDS ENGINEER	