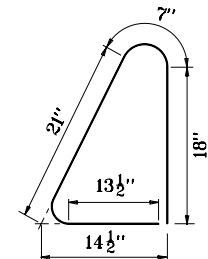
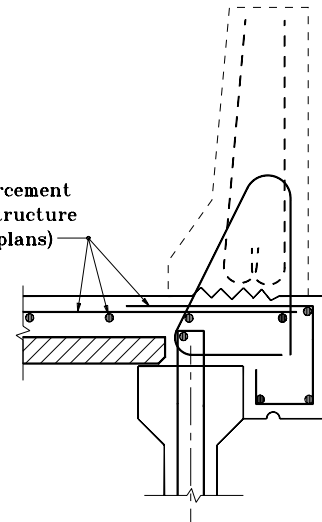


PART SECTION

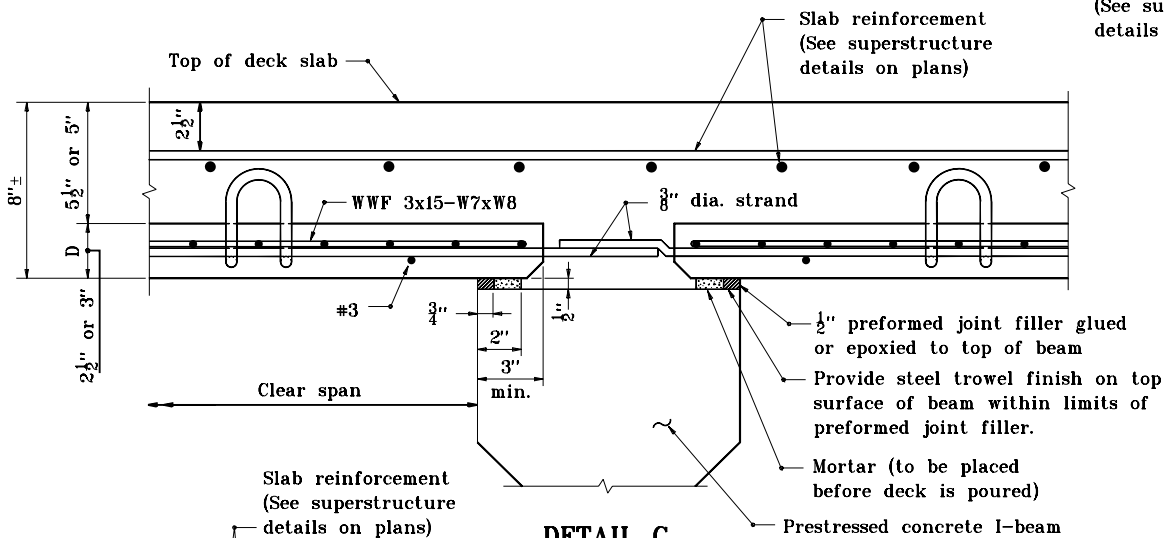
Slab reinforcement
(See superstructure
details on plans)



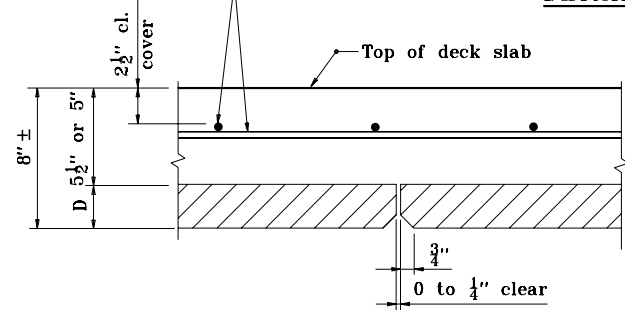
591b x 5'-0" ①



DETAIL D



DETAIL C



TYPICAL JOINT DETAIL BETWEEN DECK PANELS

NOTES :

- ① Use bending bar 591b instead of 591a to clear deck panel if required.
2. See Standard Drawing E 707-BPDP-01 for Plan and sections and E 707-BPDP-02 for General Notes.
3. Details for skewed panels are on the Standard Drawing E 707-BPDP-05.

INDIANA DEPARTMENT OF TRANSPORTATION	
PRECAST DECK PANEL DETAILS	
MAY 2000	
STANDARD DRAWING NO. E 707-BPDP-04	
	/s/ Anthony L. Uremovich 5-01-00 DESIGN STANDARDS ENGINEER DATE
	/s/ Firooz Zandi 5-01-00 CHIEF HIGHWAY ENGINEER DATE
DESIGN STANDARDS ENGINEER	