

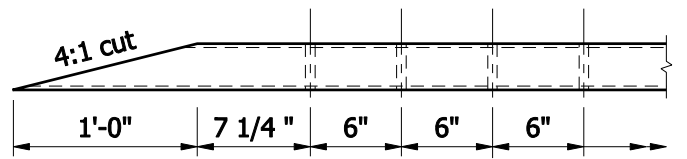
8 - 3/4 " ϕ x 1'-0" long round head bolts in 7/8 " ϕ holes. (4 ea. rail) Holes are to be slotted as required for expansion.

* NOTE: Field measure distance to holes on concrete transition.

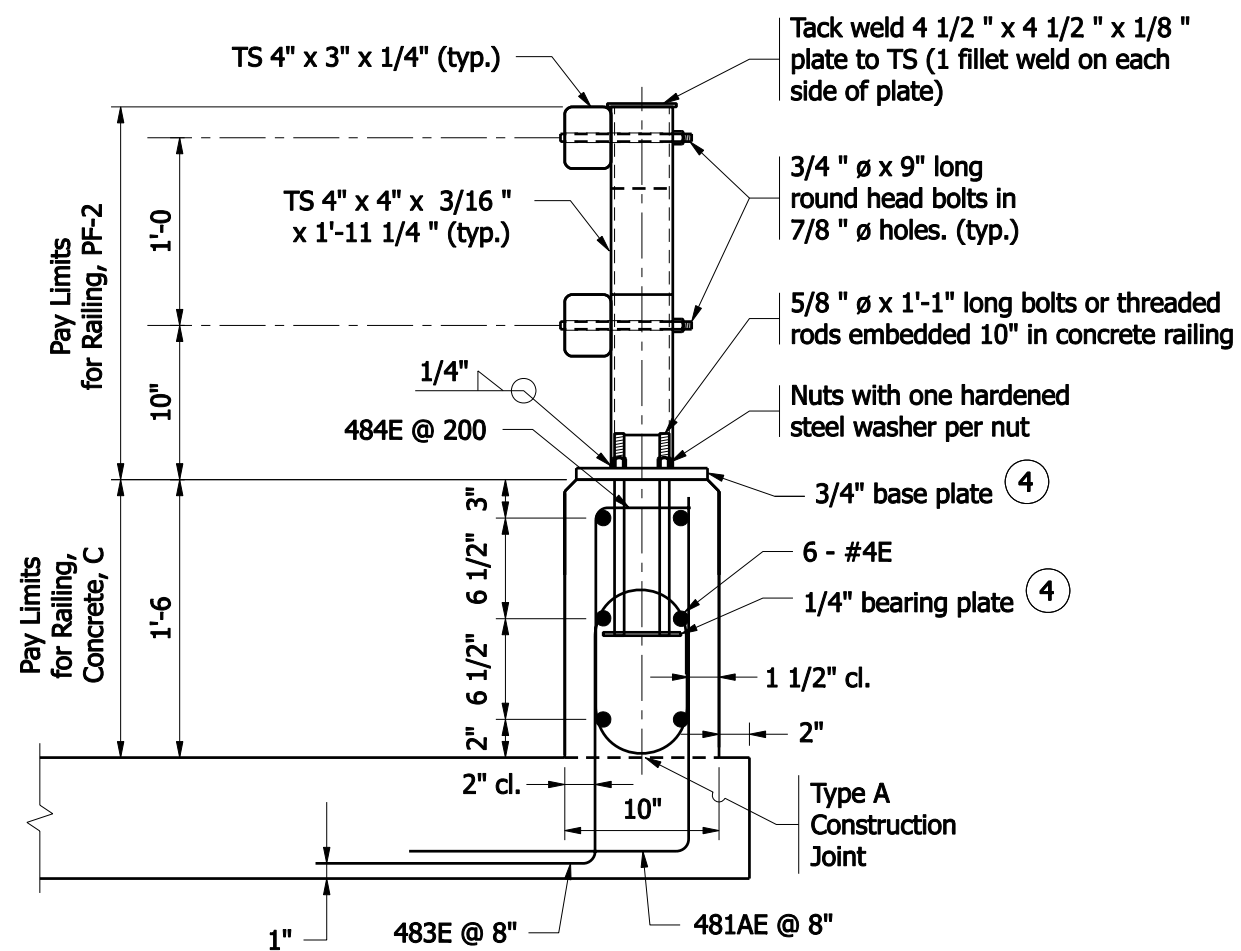
ELEVATION

NOTES :

1. All chamfered edges shall be 1".
2. Intermediate railing splices shall be placed every 20 ft. with center of connection at span quarter points.
3. See Standard Drawing E 706-BRPP-05 for railing tube details and Inner sleeve details.
4. See Standard Drawing E 706-BRPP-06 for base plate detail, bearing plate detail, and reinforcing steel bar bends.
5. See Standard Drawings E 706-TTBP-03, and E 706-TTBP-04 for Concrete Bridge Railing Transition, TPS-2.
6. See Standard Drawing E 703-BRST-01 for standard 180° bar bending details.
7. All reinforcing bars designated "E" shall be epoxy coated.



DETAIL A
(Plan view of both rails)



TYPICAL SECTION

INDIANA DEPARTMENT OF TRANSPORTATION	
RAILING, PF-2	
SEPTEMBER 2007	
STANDARD DRAWING NO. E 706-BRPP-02	
	<p><i>/s/ Richard L. VanCleave</i> 09/04/07 DESIGN STANDARDS ENGINEER DATE</p> <p><i>/s/ Mark A. Miller</i> 09/04/07 CHIEF HIGHWAY ENGINEER DATE</p>
DESIGN STANDARDS ENGINEER	