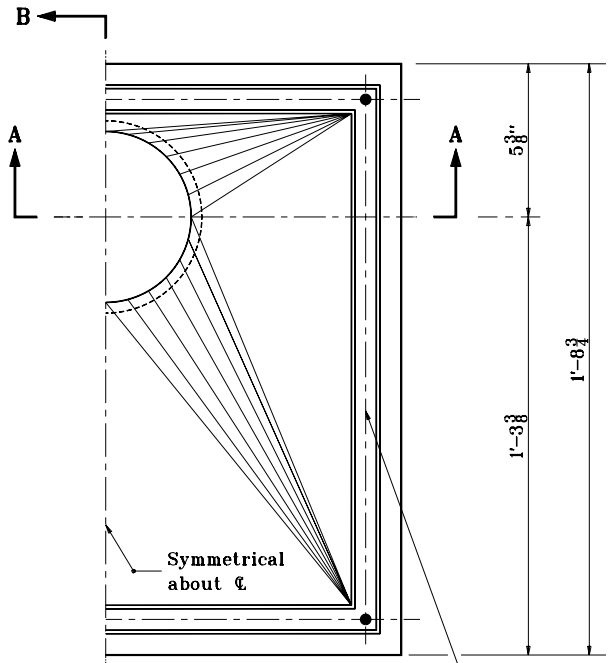


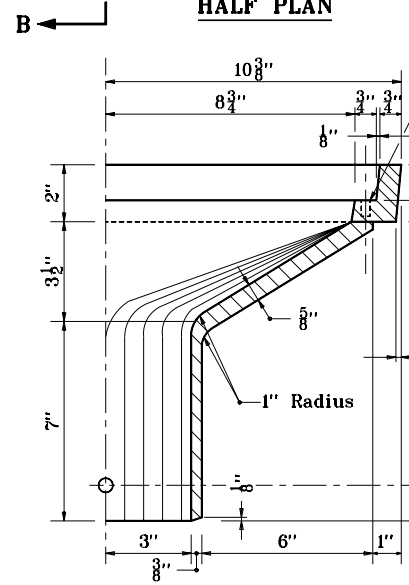
GENERAL NOTES

1. For attaching pipe to all drains, use $\frac{3}{8}$ "x1 $\frac{1}{2}$ " hex bolts with 2- $\frac{3}{8}$ " lock washers and 2- $\frac{3}{8}$ " nuts. (All parts galvanized)
2. The approximate weight of the drain is 120 lb..

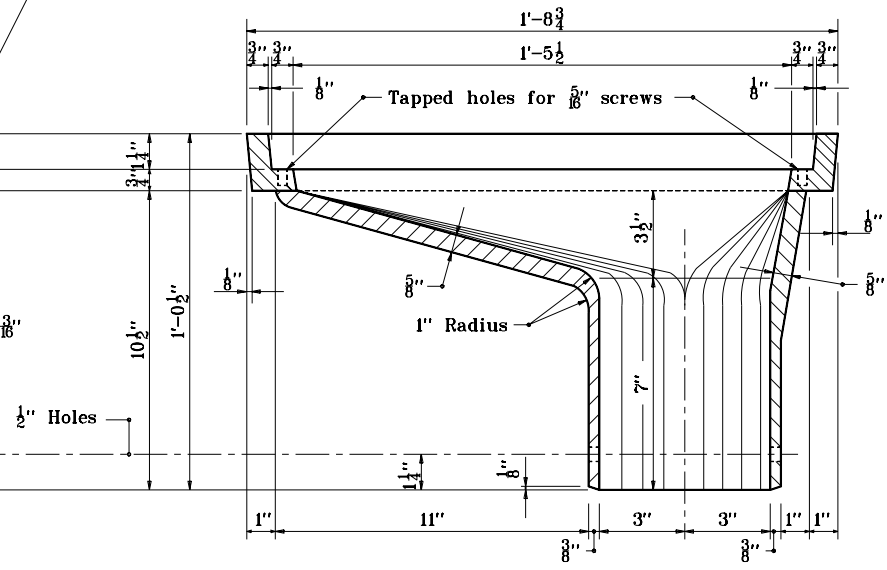


HALF PLAN

Tapped holes for $\frac{5}{8}$ " screws



HALF SECTION A-A



SECTION B-B

INDIANA DEPARTMENT OF TRANSPORTATION	
CASTING DETAILS	
ROADWAY DRAIN TYPE SQ	
SEPTEMBER 1994	
STANDARD DRAWING NO.E 704-BDCG-04	
	DETAILS PLACED IN THIS FORMAT 11-15-99 /s/ Anthony L. Uremovich 11-15-99 DESIGN STANDARDS ENGINEER DATE
DESIGN STANDARDS ENGINEER	/s/ Firooz Zandi 11-15-99 CHIEF HIGHWAY ENGINEER DATE ORIGINALLY APPROVED 9-30-94