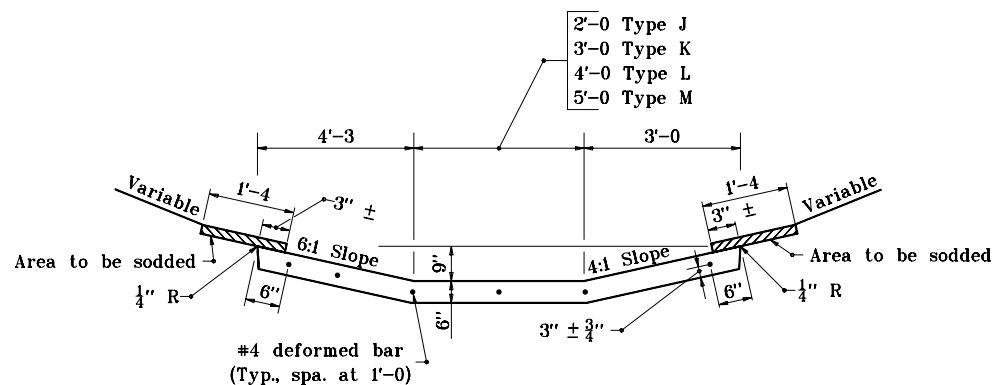


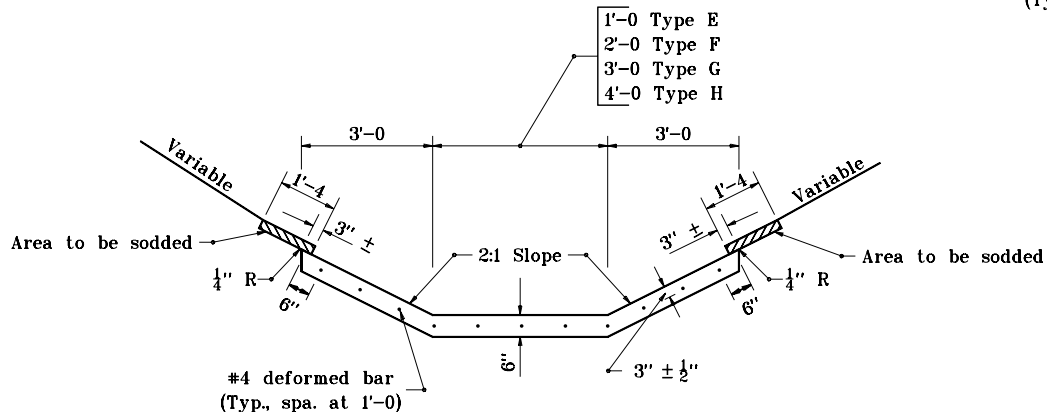
ELEVATION VIEW

PAVED SIDE DITCH TYPES A THROUGH D



ELEVATION VIEW

PAVED SIDE DITCH TYPES J THROUGH M



ELEVATION VIEW

PAVED SIDE DITCH TYPES E THROUGH H

INDIANA DEPARTMENT OF TRANSPORTATION	
PAVED SIDE DITCH	
ELEVATIONS	
SEPTEMBER 2000	
STANDARD DRAWING NO. E 607-PSDT-01	
	/s/ Anthony L. Uremovich 9-01-00 <small>DESIGN STANDARDS ENGINEER DATE</small>
	/s/ Firooz Zandi 9-01-00 <small>CHIEF HIGHWAY ENGINEER DATE</small>
<small>DESIGN STANDARDS ENGINEER</small>	