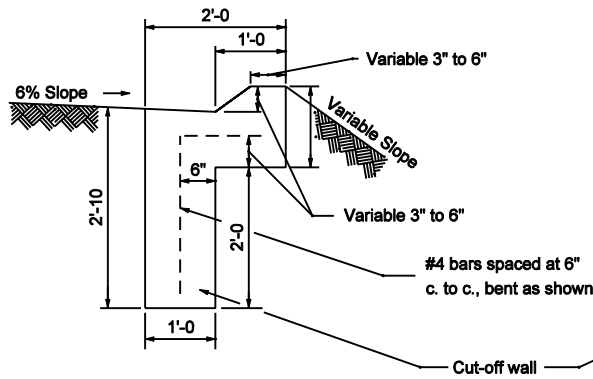


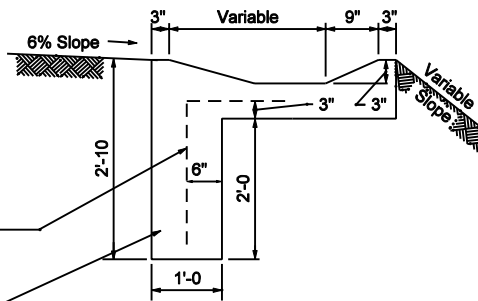
DETAIL B

GENERAL NOTES

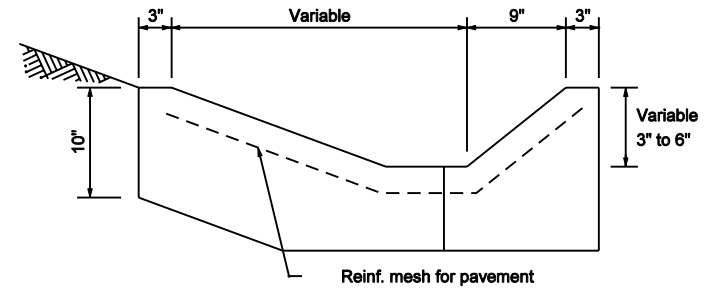
1. For location of details and sections see Standard Drawing E 605-GTRC-03.



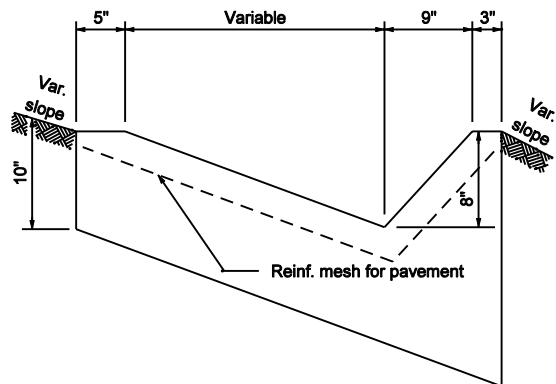
SECTION A-A



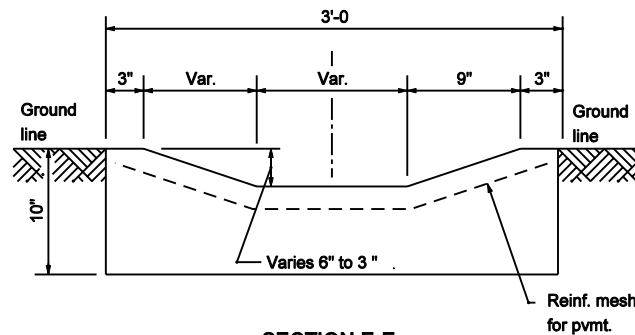
SECTION B-B



SECTION C-C



SECTION D-D



SECTION E-E

INDIANA DEPARTMENT OF TRANSPORTATION	
REINFORCED CONCRETE GUTTER TURNOUT	
MARCH 2003	
STANDARD DRAWING NO. E 605-GTRC-01	
	/s/ Richard L. VanCleave 3-03-03 DESIGN STANDARDS ENGINEER DATE
	/s/ Richard K. Smutzer 3-03-03 CHIEF HIGHWAY ENGINEER DATE
DESIGN STANDARDS ENGINEER	