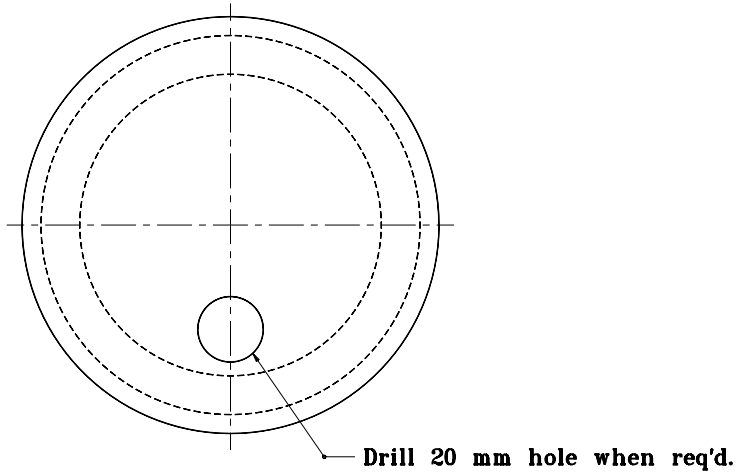
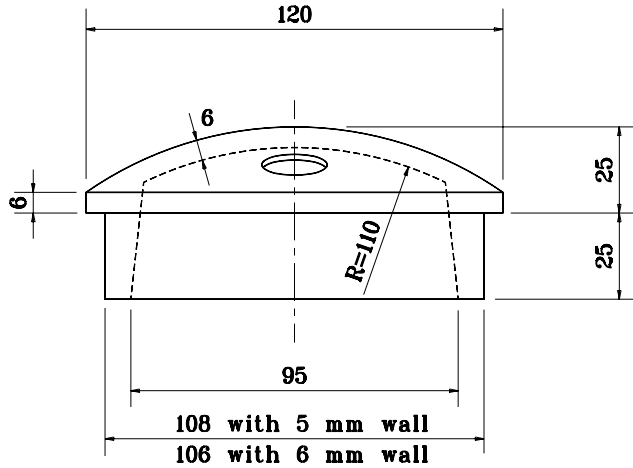


**GENERAL NOTES**

1. Sand-cast aluminum alloy.



**END CAP FOR 120 O.D. TUBE**

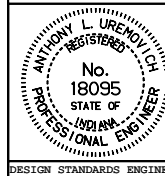
All dimensions are in mm unless otherwise specified.

INDIANA DEPARTMENT OF TRANSPORTATION

**END CAP**

SEPTEMBER 2001

STANDARD DRAWING NO. 802-SNOH-12



/s/ Anthony L. Uremovich 9-04-01  
DESIGN STANDARDS ENGINEER DATE

/s/ Firooz Zandi 9-04-01  
CHIEF HIGHWAY ENGINEER DATE

DESIGN STANDARDS ENGINEER