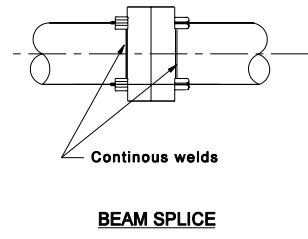
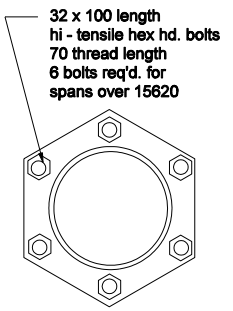
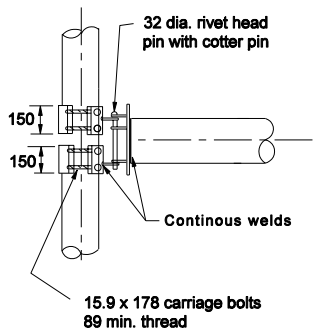


OVERHEAD BRIDGE



All Dimension are in mm unless otherwise specified

INDIANA DEPARTMENT OF TRANSPORTATION

OVERHEAD SIGN BRIDGE SPANS

MARCH 2004

STANDARD DRAWING NO. 802-SNOB-01

	<p>/s/ Richard L. VarCleave 3-01-04 DESIGN STANDARDS ENGINEER DATE</p> <p>/s/ Richard K. Smutzer 3-01-04 CHIEF HIGHWAY ENGINEER DATE</p>
DESIGN STANDARDS ENGINEER	