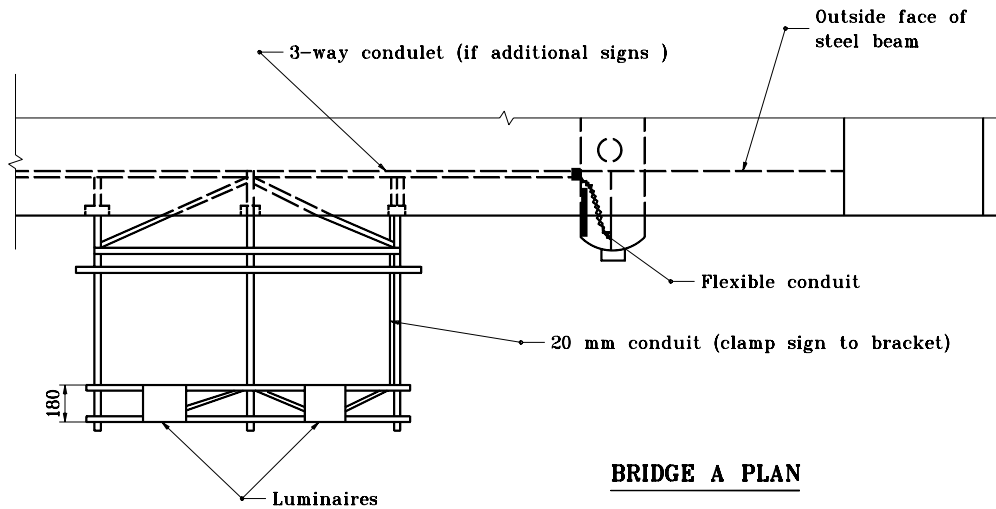


BRIDGE A



BRIDGE A PLAN

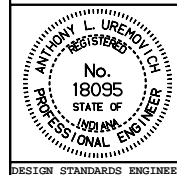
All dimensions are in mm unless otherwise specified.

INDIANA DEPARTMENT OF TRANSPORTATION

**SIGN ILLUMINATION
DETAILS**

SEPTEMBER 2001

STANDARD DRAWING NO. **802-SNIL-01**



/s/ Anthony L. Uremovich 9-04-01
DESIGN STANDARDS ENGINEER DATE

/s/ Firooz Zandi 9-04-01
CHIEF HIGHWAY ENGINEER DATE

DESIGN STANDARDS ENGINEER