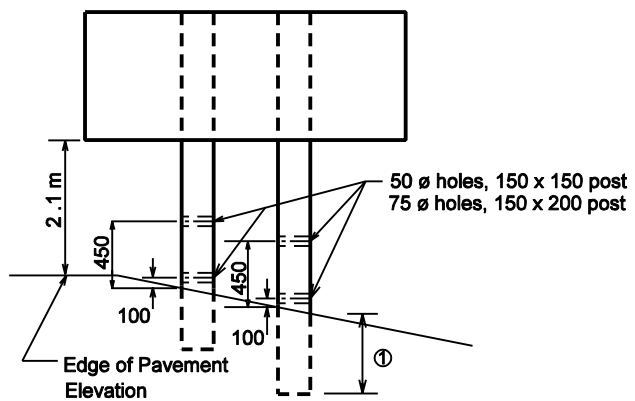
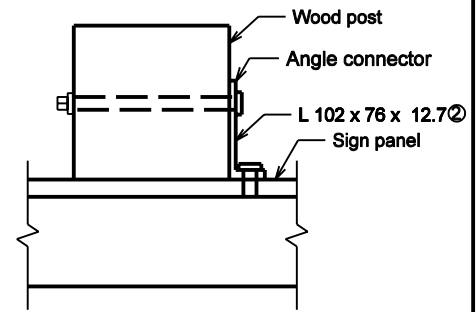


2 - Post Installation

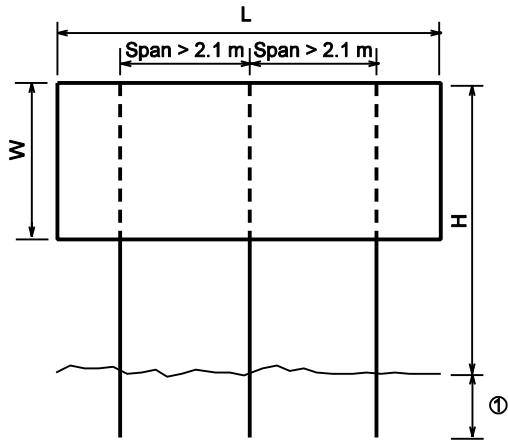


NOTES

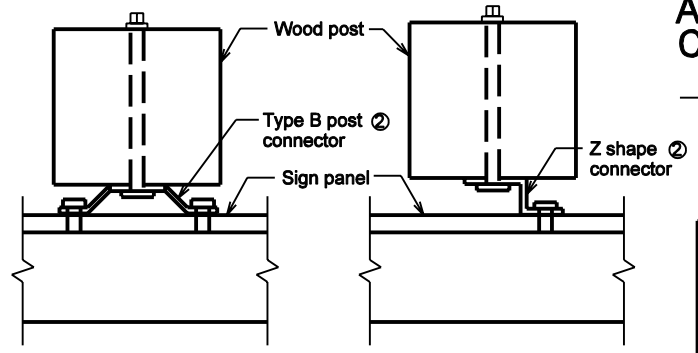
- ① This dimension is $H/10 + 1$ meter or a minimum of 1.5 m.
- ② The length of each of these pieces equals W.
- 3. See standard drawing 801-TCSN-15 for post size and number of posts required.



ANGLE SHAPE CONNECTION DETAIL



3 - Post Installation



TYPE B POST CONNECTION DETAIL

Z SHAPE CONNECTION DETAIL

All Dimension are in mm unless otherwise specified

INDIANA DEPARTMENT OF TRANSPORTATION	
TEMPORARY PANEL SIGN BREAK-AWAY POST INSTALLATION	
MARCH 2002	
STANDARD DRAWING NO. 801-TCSN-14	
	<i>/s/ Richard L. VanCleave</i> 3-01-02 <small>DESIGN STANDARDS ENGINEER DATE</small>
	<i>/s/ Richard K. Smutzer</i> 3-01-02 <small>CHIEF HIGHWAY ENGINEER DATE</small>
<small>DESIGN STANDARDS ENGINEER</small>	