

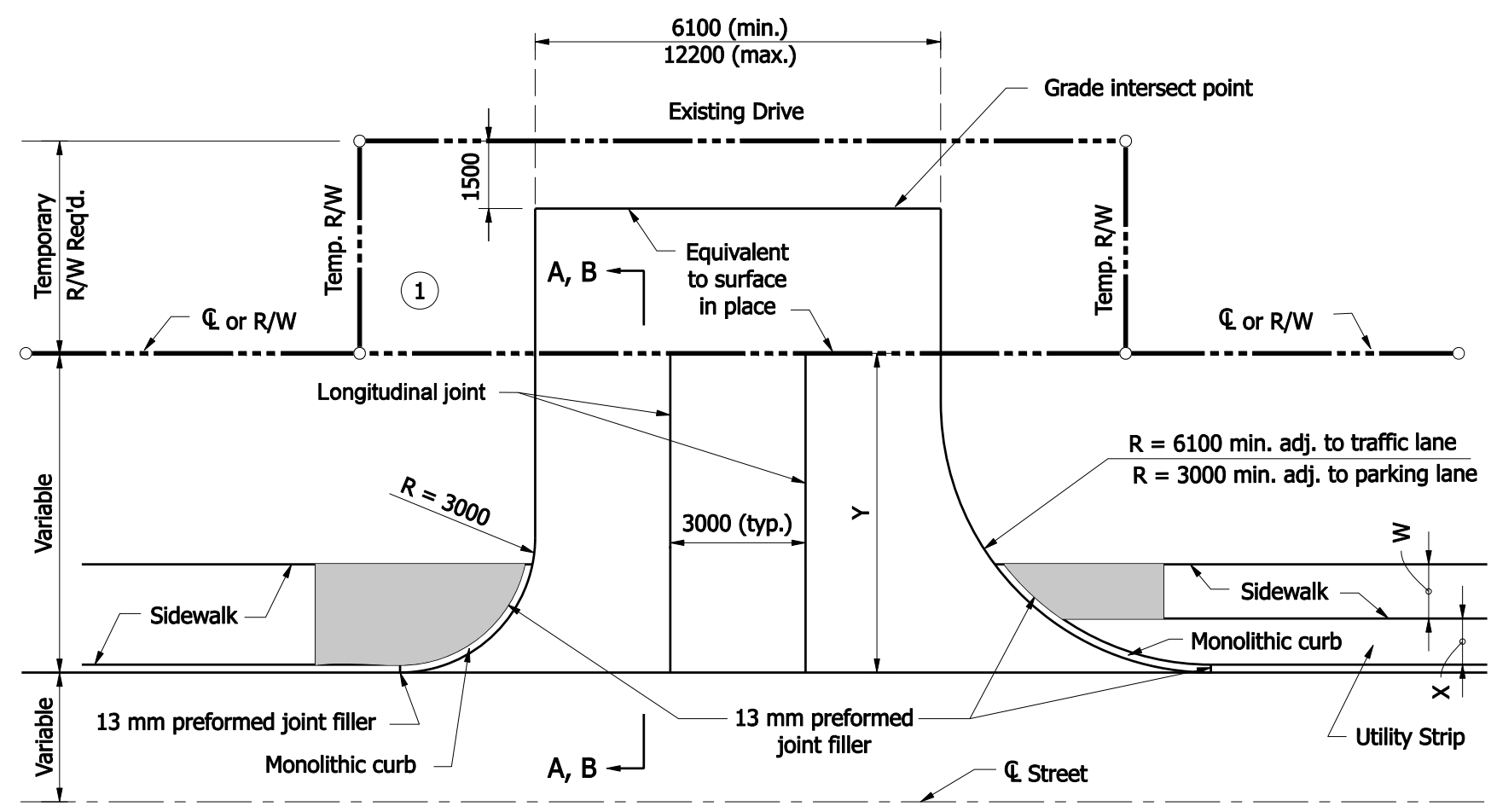
CONCRETE CURB & GUTTER CONNECTION FOR CLASS I & III DRIVES

**NOTES :**

- ① See Standard Drawing 610-DRIV-08 for Section A-A, and Section B-B.
2. For Class III drive, 225 PCCP pavement for driveways shall be placed on subgrade treatment Type IIIA.
3. See Standard Drawings 604-SDWK-01 or 604-SDWK-02 for side walk elevation transition details, or Standard Drawing 604-SWCR-09 for sidewalk curb ramp details if the drive is signalized.

**LEGEND**

- W = Width of sidewalk
- Wd = Driveway width
- X = Distance between back face of curb and sidewalk.
- Y = Distance from front face of curb to P or R/W
- Sidewalk elevation transition.



PLAN VIEW - CLASS III DRIVE

All Dimensions are in mm unless otherwise specified.

<b>INDIANA DEPARTMENT OF TRANSPORTATION</b>	
<b>CLASS III DRIVE</b>	
<b>SEPTEMBER 2007</b>	
<b>STANDARD DRAWING NO. 610-DRIV-03</b>	
	<p><i>/s/ Richard L. VanCleave</i>    09/04/07  DESIGN STANDARDS ENGINEER    DATE</p> <p><i>/s/ Mark A. Miller</i>    09/04/07  CHIEF HIGHWAY ENGINEER    DATE</p>
<b>DESIGN STANDARDS ENGINEER</b>	