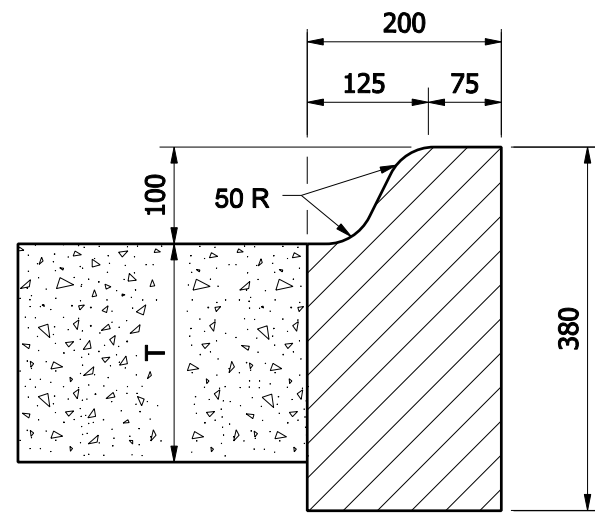
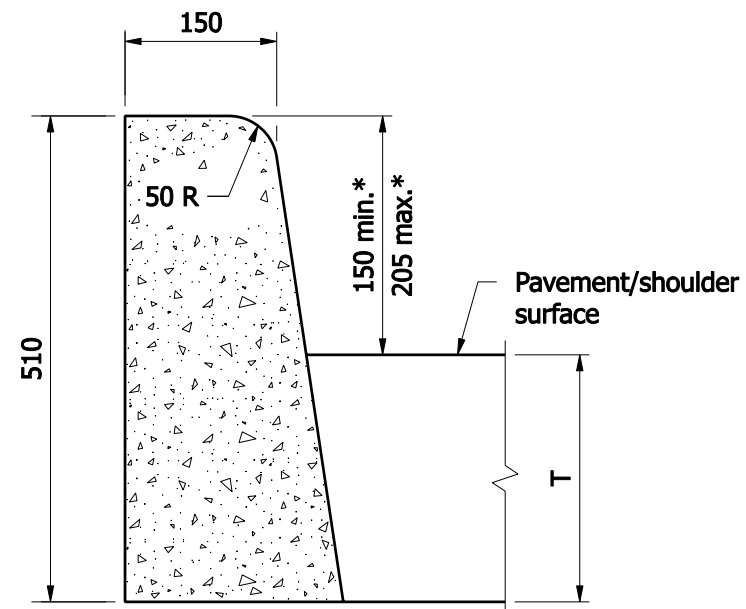


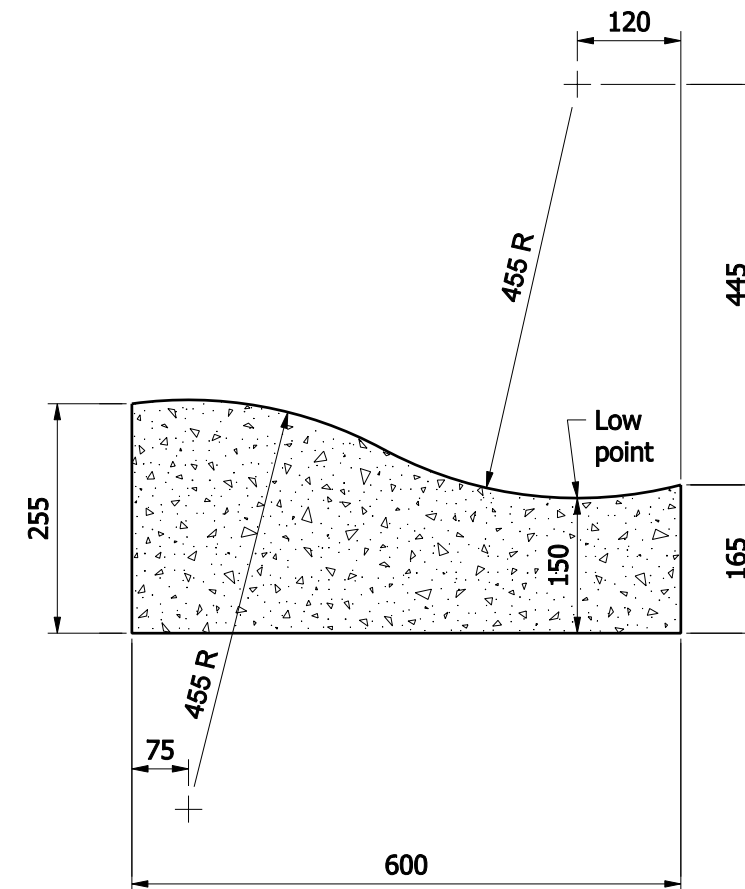
**ASPHALT CURB
(MOUNTABLE)**



**CONCRETE CURB
TYPE B
(MOUNTABLE)**



**CONCRETE CURB
(BARRIER)**



**ROLLED CURB
(MOUNTABLE)**

LEGEND

- T = Curb embedment-300 min.
- * = Curb face exposure height

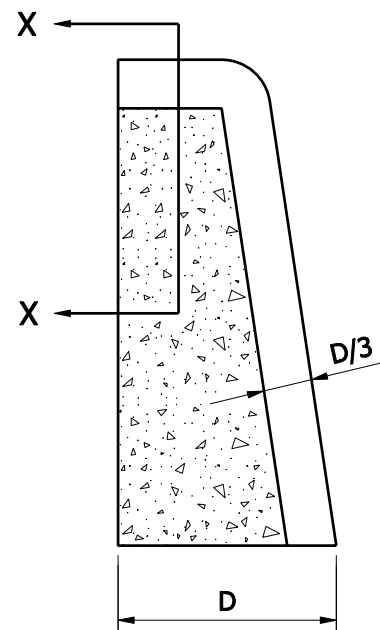
All Dimensions are in mm unless otherwise specified.

INDIANA DEPARTMENT OF TRANSPORTATION

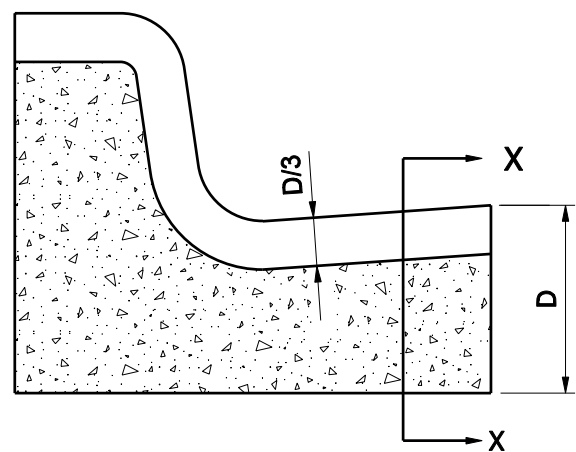
**CONCRETE AND ASPHALT
CURBS AND SAWED JOINTS**

SEPTEMBER 2008

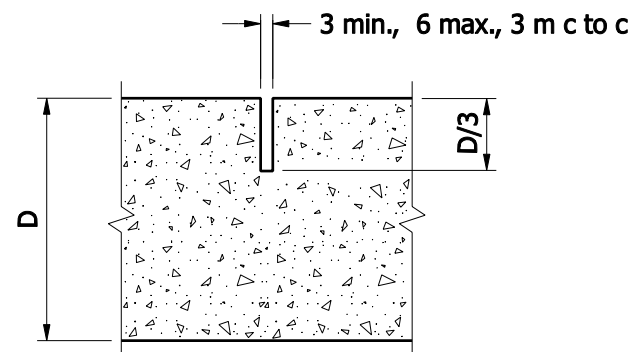
STANDARD DRAWING NO. 605-CCSJ-01



CURB

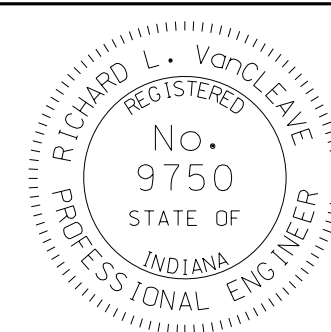


COMBINED CURB & GUTTER



SECTION X-X

SAWED CONTRACTION JOINTS FOR CURB AND COMBINED CURB & GUTTER



DESIGN STANDARDS ENGINEER

/s/ Richard L. VanCleave 09/02/08
DESIGN STANDARDS ENGINEER DATE

/s/ Mark A. Miller 09/02/08
CHIEF HIGHWAY ENGINEER DATE