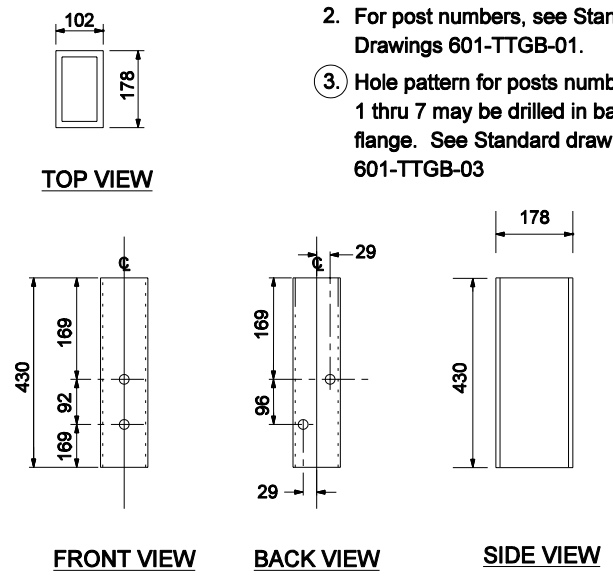


W 150 x 14 POST DETAILS



TS 178 x 102 x 4.8 BLOCK DETAILS

NOTE:

1. All holes drilled or punched to 21 dia.
2. For post numbers, see Standard Drawings 601-TTGB-01.
3. Hole pattern for posts numbers 1 thru 7 may be drilled in back flange. See Standard drawing 601-TTGB-03

POST 8

All Dimension are in mm unless otherwise specified

INDIANA DEPARTMENT OF TRANSPORTATION											
GUARDRAIL TRANSITION TYPE TGB											
MARCH 2004											
STANDARD DRAWING NO. 601-TTGB-04											
	<table border="0" style="width: 100%;"> <tr> <td style="font-size: small;">/s/ Richard L. VanCleave</td> <td style="font-size: small;">3-01-04</td> </tr> <tr> <td style="font-size: x-small;">DESIGN STANDARDS ENGINEER</td> <td style="font-size: x-small;">DATE</td> </tr> <tr> <td colspan="2"> </td> </tr> <tr> <td style="font-size: small;">/s/ Richard K. Smutzer</td> <td style="font-size: small;">3-01-04</td> </tr> <tr> <td style="font-size: x-small;">CHIEF HIGHWAY ENGINEER</td> <td style="font-size: x-small;">DATE</td> </tr> </table>	/s/ Richard L. VanCleave	3-01-04	DESIGN STANDARDS ENGINEER	DATE			/s/ Richard K. Smutzer	3-01-04	CHIEF HIGHWAY ENGINEER	DATE
/s/ Richard L. VanCleave	3-01-04										
DESIGN STANDARDS ENGINEER	DATE										
/s/ Richard K. Smutzer	3-01-04										
CHIEF HIGHWAY ENGINEER	DATE										
DESIGN STANDARDS ENGINEER											